

# SCHUTTIES INDUSTRIAL

“FOR EVERYTHING THAT OPENS AND SCHUTTS”

 [WWW.SCHUTTIES.COM.AU](http://WWW.SCHUTTIES.COM.AU)

Australian Owned & Operated Since 1990



**Address:**  
285-289 Abbots Road,  
Dandenong South VIC 3175

**Email:**  
[sales@schutties.com.au](mailto:sales@schutties.com.au)

**Phone:**  
03 8791 5755

YOUR SPECIALIST DISTRIBUTOR:

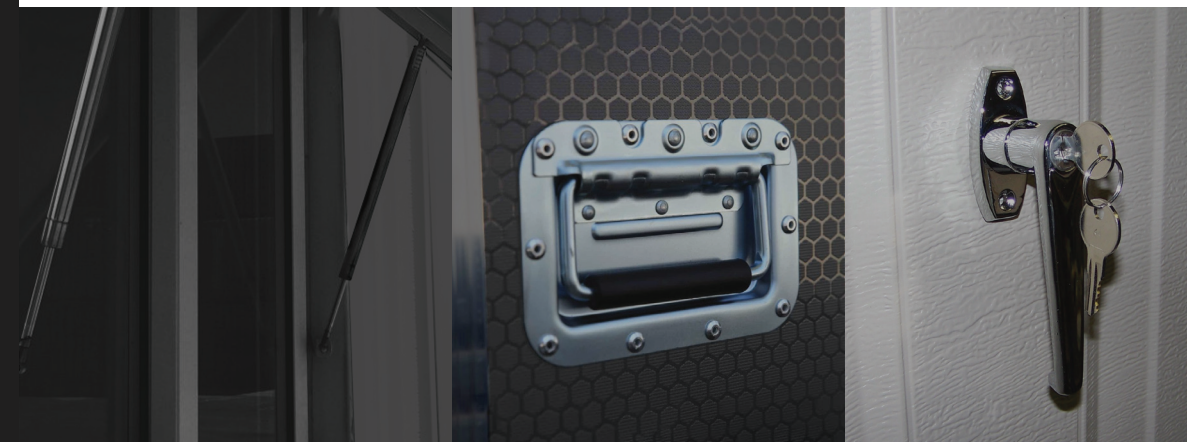
**SCHUTTIES**  
INDUSTRIAL

Australian Owned & Operated Since 1990



# SCHUTTIES INDUSTRIAL

“FOR EVERYTHING THAT OPENS AND SCHUTTS”



HINGES HANDLES LOCKS RUBBER

GAS STRUTS PROTEX FASTENERS PROTEX BANDCLAMPS DRAWERSLIDES

2023

SCHUTTIES INDUSTRIAL

PRODUCT CATALOGUE

[WWW.SCHUTTIES.COM.AU](http://WWW.SCHUTTIES.COM.AU)

CATALOGUE



### Our Vision

For over 30 years our business has focused on the development and sourcing of product through the world's best manufacturers and ensure our catalogue offering exceeds the standards of all our customers.



### Quality Product

We have an extensive range of products to industry that are recognised to uphold the Australian industrial requirement across different industries.



### Service and Knowledge

We offer customised recommendations and solutions to our customers based on their specific applications, ensuring suitable product placement per manufacturer guidelines for optimal performance.

**“FOR EVERYTHING THAT OPENS AND SCHUTTS”**

# CONTENTS

## 02 PROTEX FASTENERS

- 21  
1
- Light Duty
  - Medium Duty
  - Heavy Duty
  - Catchbolt & Prolatch
  - Case Fittings

## 22 PROTEX BANDCLAMPS

- 26  
2
- Hi-Torque Bandclamps
  - Hi-Grip Bandclamps
  - Large Diameter Hi-Torque
  - Safety Catch Bandclamp

## 27 HANDLES

- 32  
3
- D Pull Handles
  - Chest Handles
  - Case Handles
  - T Handles
  - Lever Handles
  - Swing Handles

## 33 LOCKS

- 37  
4
- Cam Locks
  - Quarter Turn Locks
  - 3-Point Rods

## 38 RUBBER

- 41  
5
- Rubber

## 42 HINGES

- 46  
6
- Continuous Hinges
  - Butt Hinges
  - Block & Pintle Hinges

## 47 GAS STRUTS

- 54  
7
- Gas Strut Information
  - Gas Strut End Fittings
  - 6/15 Gas Struts
  - 8/19 Gas Struts
  - 10/22 Gas Struts
  - 14/28 Gas Struts

## 55 DRAWERSLIDES

- 58  
8
- Light Duty
  - Medium Duty
  - Heavy Duty





# PROTEX® FASTENERS

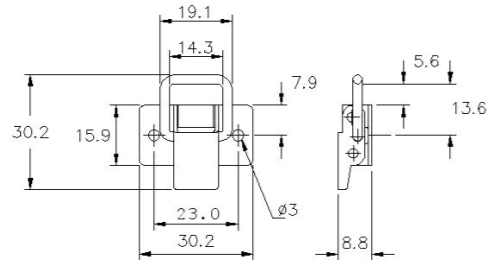
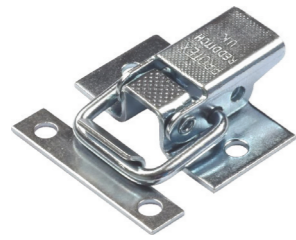


<b>01</b> Light Duty Fasteners	<b>04-09</b>
<b>02</b> Medium Duty Fasteners	<b>10-16</b>
<b>03</b> Heavy Duty Fasteners	<b>16-18</b>
<b>04</b> Catchbolt & Prolatch	<b>18-19</b>
<b>05</b> Case Fittings	<b>20-21</b>

MORE FASTENERS AND FINISH OPTIONS AVAILABLE

**“FOR EVERTHING THAT OPENS AND SCHUTTS”**

Non-Adjustable Toggle Latch



Catchplates



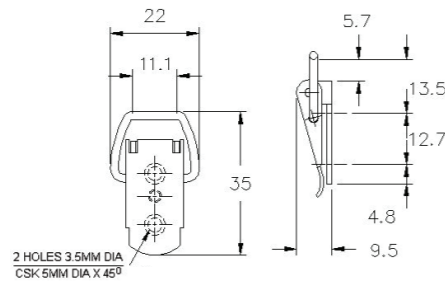
01-589

Accessories

N/A

SKU	MATERIAL	FINISH	HOLE Ø	WEIGHT	LOCKABLE	SAFETY	SPRING	STRENGTH
10-589MSZN	Mild Steel	Zinc	3.00mm	0.0084kg	No	No	N/A	35kg

Non-Adjustable Toggle Latch



Catchplates



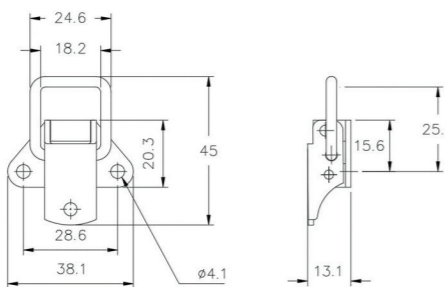
01-531 02-531 03-531

Accessories

N/A

SKU	MATERIAL	FINISH	HOLE Ø	WEIGHT	LOCKABLE	SAFETY	SPRING	STRENGTH
15-531MSZN	Mild Steel	Zinc	3.50mm	0.0092kg	No	No	N/A	70kg
15-531SS	Stainless	SF	3.50mm	0.0092kg	No	No	N/A	125kg

Non-Adjustable Toggle Latch



Catchplates



01-631 02-631 03-631 07-631

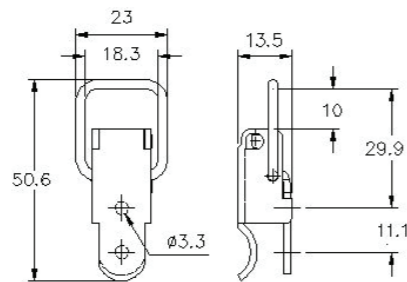
Accessories



613/7 SS 613/9 SS

SKU	MATERIAL	FINISH	HOLE Ø	WEIGHT	LOCKABLE	SAFETY	SPRING	STRENGTH
18-613MSZN	Mild Steel	Zinc	4.10mm	0.0230kg	No	No	N/A	195kg
18-613SS	Stainless	SF	4.10mm	0.0231kg	No	No	N/A	300kg

Non-Adjustable Toggle Latch



Catchplates



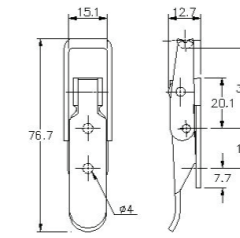
01-504 02-504 03-504 01-1658

Accessories

N/A

SKU	MATERIAL	FINISH	HOLE Ø	WEIGHT	LOCKABLE	SAFETY	SPRING	STRENGTH
20-505MSZN	Mild Steel	Zinc	3.30mm	0.0194kg	No	No	N/A	170kg
20-505SS	Stainless	SF	3.30mm	0.0194kg	No	No	N/A	200kg

Non-Adjustable Toggle Latch



Catchplates



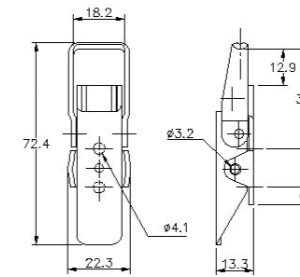
01-535 02-535 03-535 07-535 08-594

Accessories

N/A

SKU	MATERIAL	FINISH	HOLE Ø	WEIGHT	LOCKABLE	SAFETY	SPRING	STRENGTH
25-507MSZN	Mild Steel	Zinc	4.10mm	0.0384kg	No	No	N/A	250kg
25-507MSBL	Mild Steel	Nickel	4.10mm	0.0394kg	No	No	N/A	250kg
25-507SS	Stainless	SF	4.10mm	0.0390kg	No	No	N/A	350kg

Non-Adjustable Toggle Latch



Catchplates



01-504 02-504 03-504 01-1658

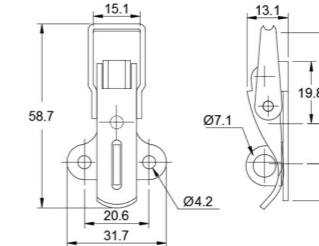
Accessories



613/7 SS 613/9 SS

SKU	MATERIAL	FINISH	HOLE Ø	WEIGHT	LOCKABLE	SAFETY	SPRING	STRENGTH
27-1123MSZN	Mild Steel	Zinc	4.10mm	0.0419kg	No	No	N/A	200kg
27-1123SS	Stainless	SF	4.10mm	0.0415kg	No	No	N/A	300kg

Non-Adjustable Padlockable Toggle Latch



Catchplates



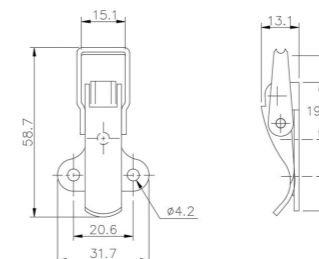
01-535 02-535 03-535 07-535 08-594

Accessories

N/A

SKU	MATERIAL	FINISH	HOLE Ø	WEIGHT	LOCKABLE	SAFETY	SPRING	STRENGTH
29-569MSZN	Mild Steel	Zinc	4.20mm	0.0289kg	Yes	No	N/A	300kg
29-569SS	Stainless	SF	4.20mm	0.0282kg	Yes	No	N/A	350kg

Non-Adjustable Toggle Latch



Catchplates



01-535 02-535 03-535 07-535 08-594

Accessories

N/A

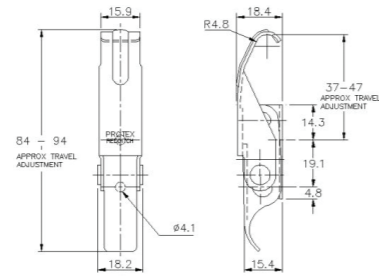
SKU	MATERIAL	FINISH	HOLE Ø	WEIGHT	LOCKABLE	SAFETY	SPRING	STRENGTH
29-619MSZN	Mild Steel	Zinc	4.20mm	0.0282kg	No	No	N/A	300kg
29-619SS	Stainless	SF	4.20mm	0.0285kg	No	No	N/A	350kg

Light Duty

Light Duty



Adjustable Toggle Latch



Catchplates

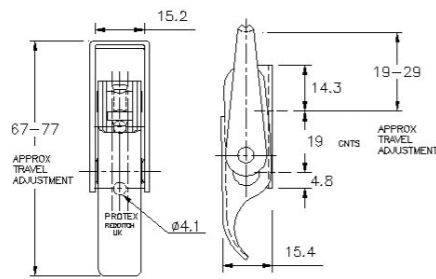
N/A

Accessories

N/A

SKU	MATERIAL	FINISH	HOLE Ø	WEIGHT	LOCKABLE	SAFETY	SPRING	STRENGTH
50-1546MSZN	Mild Steel	Zinc	4.10mm	0.0435kg	No	No	N/A	100kg
50-1546SS	Stainless	SF	4.10mm	0.0435kg	No	No	N/A	100kg

Adjustable Toggle Latch



Catchplates



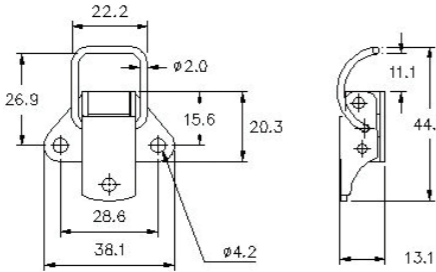
01-535 02-535 03-535 07-535

Accessories

N/A

SKU	MATERIAL	FINISH	HOLE Ø	WEIGHT	LOCKABLE	SAFETY	SPRING	STRENGTH
50-1535MSZN	Mild Steel	Zinc	4.10mm	0.0455kg	No	No	N/A	200kg
50-1535SS	Stainless	SF	4.10mm	0.0451kg	No	No	N/A	300kg

Spring Claw Toggle Latch



Catchplates



01-631 02-631 03-631 07-631

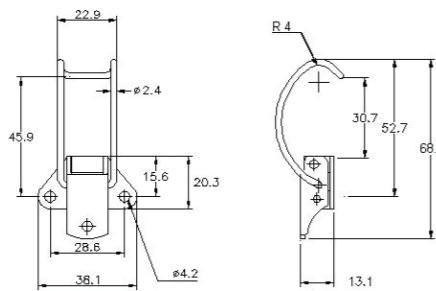
Accessories



613/7 SS 613/9 SS

SKU	MATERIAL	FINISH	HOLE Ø	WEIGHT	LOCKABLE	SAFETY	SPRING	STRENGTH
18-1204MSZN	Mild Steel	Zinc	4.20mm	0.0208kg	No	No	27kg@1.5mm	90kg
18-1204SS	Stainless	SF	4.20mm	0.0205kg	No	No	18kg@1.0mm	90kg

Spring Claw Toggle Latch



Catchplates

N/A

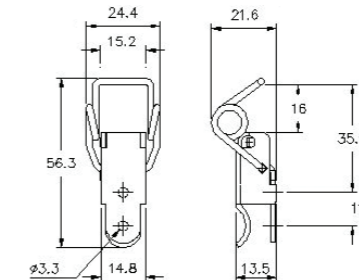
Accessories



613/7 SS 613/9 SS

SKU	MATERIAL	FINISH	HOLE Ø	WEIGHT	LOCKABLE	SAFETY	SPRING	STRENGTH
18-1645MSZN	Mild Steel	Zinc	4.10mm	0.0246kg	No	No	20kg@4.5mm	80kg
18-1645SS	Stainless	SF	4.10mm	0.0241kg	No	No	10kg@2.5mm	70kg

Spring Claw Toggle Latch



Catchplates



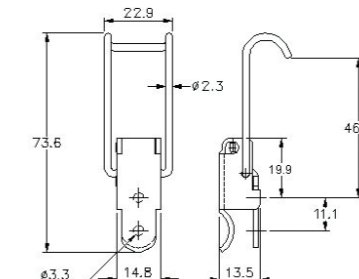
01-504 02-504 03-504 01-1658

Accessories

N/A

SKU	MATERIAL	FINISH	HOLE Ø	WEIGHT	LOCKABLE	SAFETY	SPRING	STRENGTH
20-504MSZN	Mild Steel	Zinc	3.30mm	0.0217kg	No	No	19kg@4.0mm	90kg
20-504SS	Stainless	SF	3.30mm	0.0217kg	No	No	16kg@4.0mm	90kg

Spring Claw Toggle Latch



Catchplates

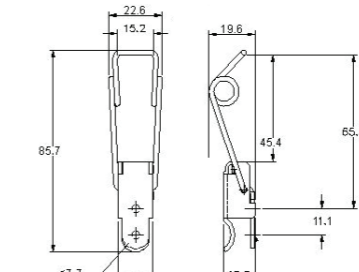
N/A

Accessories

N/A

SKU	MATERIAL	FINISH	HOLE Ø	WEIGHT	LOCKABLE	SAFETY	SPRING	STRENGTH
20-522MSZN	Mild Steel	Zinc	3.30mm	0.0223kg	No	No	68kg@5.0mm	90kg
20-522SS	Stainless	SF	3.30mm	0.0219kg	No	No	22kg@2.0mm	90kg

Spring Claw Toggle Latch



Catchplates



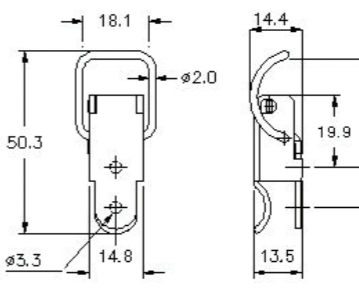
01-504 02-504 03-504 01-1658

Accessories

N/A

SKU	MATERIAL	FINISH	HOLE Ø	WEIGHT	LOCKABLE	SAFETY	SPRING	STRENGTH
20-561MSZN	Mild Steel	Zinc	3.30mm	0.0228kg	No	No	11kg@2.8mm	90kg
20-561SS	Stainless	SF	3.30mm	0.0227kg	No	No	28kg@4.0mm	90kg

Spring Claw Toggle Latch



Catchplates



01-504 02-504 03-504 01-1658

Accessories

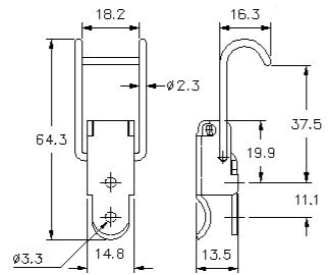
N/A

SKU	MATERIAL	FINISH	HOLE Ø	WEIGHT	LOCKABLE	SAFETY	SPRING	STRENGTH
20-1066MSZN	Mild Steel	Zinc	3.30mm	0.0194kg	No	No	27kg@1.5mm	90kg
20-1066SS	Stainless	SF	3.30mm	0.0184kg	No	No	18kg@1.0mm	90kg

Light Duty

Light Duty

Spring Claw Toggle Latch

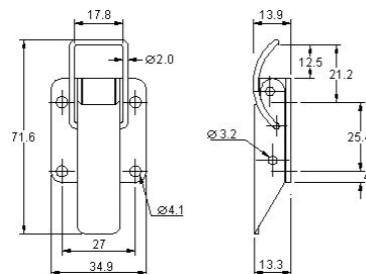


Catchplates  
N/A

Accessories  
N/A

SKU	MATERIAL	FINISH	HOLE Ø	WEIGHT	LOCKABLE	SAFETY	SPRING	STRENGTH
20-1183MSZN	Mild Steel	Zinc	4.10mm	0.0230kg	No	No	N/A	195kg
20-1183SS	Stainless	SF	4.10mm	0.0231kg	No	No	N/A	300kg

Spring Claw Toggle Latch

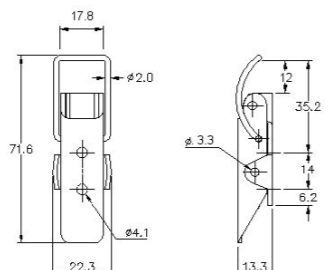


Catchplates  
05-623 06-623

Accessories  
613/7 SS 613/9 SS

SKU	MATERIAL	FINISH	HOLE Ø	WEIGHT	LOCKABLE	SAFETY	SPRING	STRENGTH
27-623MSZN	Mild Steel	Zinc	4.10mm	0.0406kg	No	No	28kg@1.5mm	90kg
27-623SS	Stainless	SF	4.10mm	0.0400kg	No	No	45kg@2.0mm	90kg

Spring Claw Toggle Latch

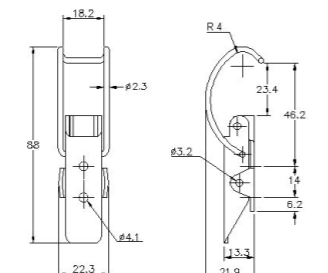


Catchplates  
001-600CLR 02-633 03-633 07-613

Accessories  
613/7 SS 613/9 SS

SKU	MATERIAL	FINISH	HOLE Ø	WEIGHT	LOCKABLE	SAFETY	SPRING	STRENGTH
27-633MSZN	Mild Steel	Zinc	4.10mm	0.0337kg	No	No	45kg@2.0mm	90kg
27-633SS	Stainless	SF	4.10mm	0.0329kg	No	No	28kg@1.5mm	90kg

Spring Claw Toggle Latch

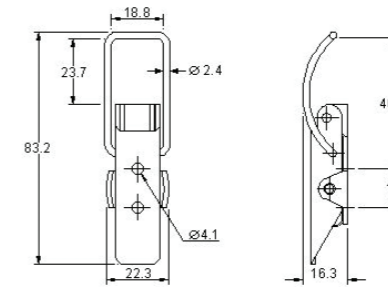


Catchplates  
N/A

Accessories  
613/7 SS 613/9 SS

SKU	MATERIAL	FINISH	HOLE Ø	WEIGHT	LOCKABLE	SAFETY	SPRING	STRENGTH
27-645MSZN	Mild Steel	Zinc	4.10mm	0.0364kg	No	No	20kg@4.5mm	60kg
27-645SS	Stainless	SF	4.10mm	0.0384kg	No	No	11kg@2.5mm	50kg

Spring Claw Toggle Latch

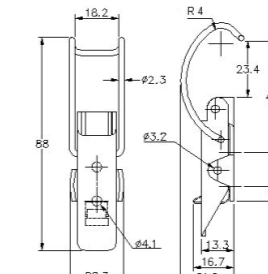


Catchplates  
001-600CLR 02-633 03-633 07-613

Accessories  
613/7 SS 613/9 SS

SKU	MATERIAL	FINISH	HOLE Ø	WEIGHT	LOCKABLE	SAFETY	SPRING	STRENGTH
27-1162MSZN	Mild Steel	Zinc	4.10mm	0.0356kg	No	No	54kg@2.5mm	90kg
27-1162SS	Stainless	SF	4.10mm	0.0349kg	No	No	22kg@1.5mm	90kg

Spring Claw Toggle Latch

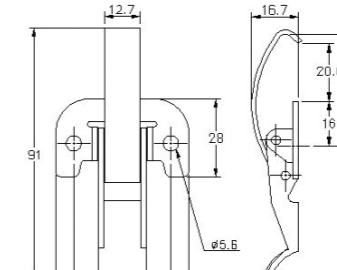


Catchplates  
N/A

Accessories  
613/7 SS 613/9 SS

SKU	MATERIAL	FINISH	HOLE Ø	WEIGHT	LOCKABLE	SAFETY	SPRING	STRENGTH
27-1256MSZN	Mild Steel	Zinc	4.10mm	0.0389kg	No	Yes	20kg@4.5mm	60kg
27-1256SS	Stainless	SF	4.10mm	0.0375kg	No	Yes	11kg@2.5mm	50kg

Spring Claw Toggle Latch

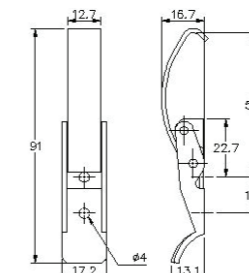


Catchplates  
04-1115

Accessories  
N/A

SKU	MATERIAL	FINISH	HOLE Ø	WEIGHT	LOCKABLE	SAFETY	SPRING	STRENGTH
28-1115MSZN	Mild Steel	Zinc	5.50mm	0.0451kg	No	No	70kg@3.2mm	100kg

Spring Claw Toggle Latch



Catchplates  
04-2150

Accessories  
N/A

SKU	MATERIAL	FINISH	HOLE Ø	WEIGHT	LOCKABLE	SAFETY	SPRING	STRENGTH
28-2150MSZN	Mild Steel	Zinc	4.10mm	0.0400kg	No	No	70kg@3.2mm	100kg
28-2150SS	Stainless	SF	4.10mm	0.0407kg	No	No	30kg@2.5mm	100kg

Light Duty

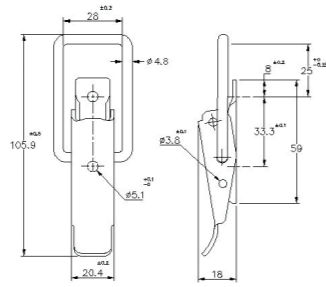
Light Duty



Medium Duty

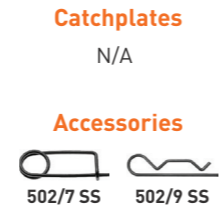
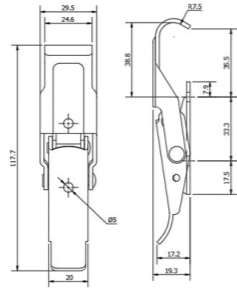
Medium Duty

Non-Adjustable Latch



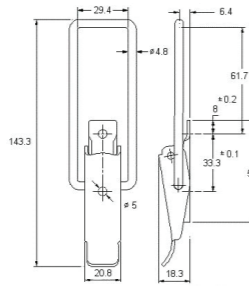
SKU	MATERIAL	FINISH	HOLE Ø	WEIGHT	LOCKABLE	SAFETY	SPRING	STRENGTH
30-502MSZN	Mild Steel	Zinc	5.10mm	0.0756kg	No	No	N/A	450kg
30-502SS	Stainless	SF	5.10mm	0.0695kg	No	No	N/A	550kg

Non-Adjustable Latch



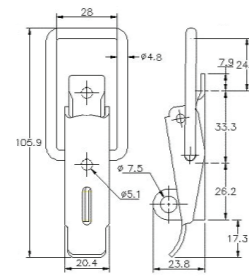
SKU	MATERIAL	FINISH	HOLE Ø	WEIGHT	LOCKABLE	SAFETY	SPRING	STRENGTH
30-506MSZN	Mild Steel	Zinc	5.10mm	0.0926kg	No	No	N/A	300kg
30-506SS	Stainless	SF	5.10mm	0.0878kg	No	No	N/A	200kg

Non-Adjustable Latch



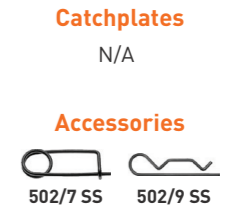
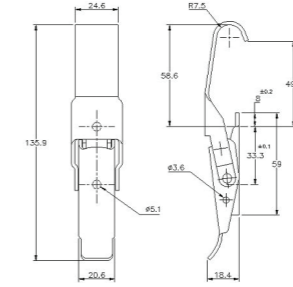
SKU	MATERIAL	FINISH	HOLE Ø	WEIGHT	LOCKABLE	SAFETY	SPRING	STRENGTH
30-560MSZN	Mild Steel	Zinc	5.10mm	0.0868kg	No	No	N/A	450kg
30-560SS	Stainless	SF	5.10mm	0.0800kg	No	No	N/A	550kg

Non-Adjustable Padlockable Latch



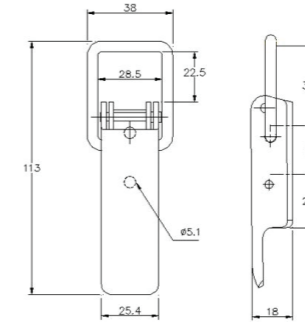
SKU	MATERIAL	FINISH	HOLE Ø	WEIGHT	LOCKABLE	SAFETY	SPRING	STRENGTH
30-570MSZN	Mild Steel	Zinc	5.10mm	0.0763kg	Yes	No	N/A	450kg
30-570SS	Stainless	SF	5.10mm	0.0719kg	Yes	No	N/A	550kg

Non-Adjustable Latch



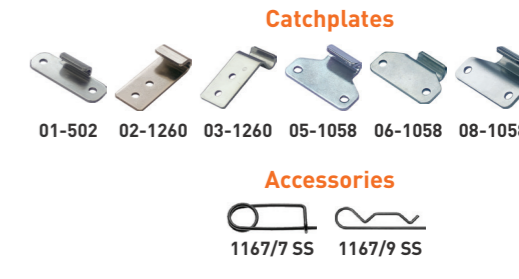
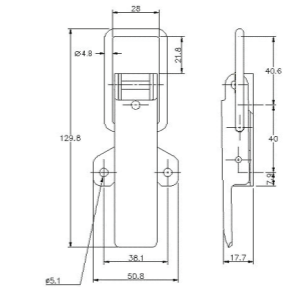
SKU	MATERIAL	FINISH	HOLE Ø	WEIGHT	LOCKABLE	SAFETY	SPRING	STRENGTH
30-585MSZN	Mild Steel	Zinc	5.10mm	0.1023kg	No	No	N/A	200kg
30-585SS	Stainless	SF	5.10mm	0.0969kg	No	No	N/A	125kg

Non-Adjustable Latch



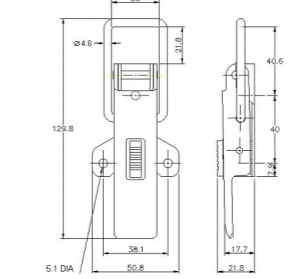
SKU	MATERIAL	FINISH	HOLE Ø	WEIGHT	LOCKABLE	SAFETY	SPRING	STRENGTH
33-1260MSZN	Mild Steel	Zinc	5.10mm	0.1089kg	No	No	N/A	450kg

Non-Adjustable Latch



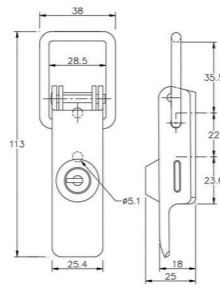
SKU	MATERIAL	FINISH	HOLE Ø	WEIGHT	LOCKABLE	SAFETY	SPRING	STRENGTH
35-1058MSZN	Mild Steel	Zinc	5.10mm	0.1250kg	No	No	N/A	450kg
35-1058SS	Stainless	SF	5.10mm	0.1236kg	No	No	N/A	550kg

Non-Adjustable Latch



SKU	MATERIAL	FINISH	HOLE Ø	WEIGHT	LOCKABLE	SAFETY	SPRING	STRENGTH
36-1058MSZN	Mild Steel	Zinc	5.10mm	0.1284kg	No	Yes	N/A	450kg
36-1058SS	Stainless	SF	5.10mm	0.1250kg	No	Yes	N/A	550kg

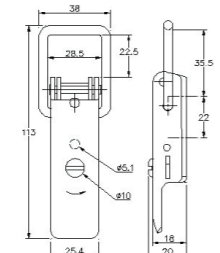
Non-Adjustable Latch with Key Lock



Accessories  
N/A

SKU	MATERIAL	FINISH	HOLE Ø	WEIGHT	LOCKABLE	SAFETY	SPRING	STRENGTH
373-1260MSZN	Mild Steel	Zinc	5.10mm	0.1380kg	Yes	No	N/A	450kg
373-1260SS	Stainless	SF	5.10mm	0.1371kg	Yes	No	N/A	550kg

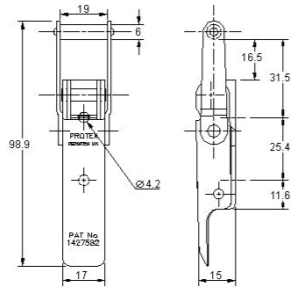
Non-Adjustable Latch with Safety Catch



Accessories  
1167/7 SS 1167/9 SS

SKU	MATERIAL	FINISH	HOLE Ø	WEIGHT	LOCKABLE	SAFETY	SPRING	STRENGTH
39-1260MSZN	Mild Steel	Zinc	5.10mm	0.1133kg	No	Yes	N/A	450kg
39-1260SS	Stainless	SF	5.10mm	0.1111kg	No	Yes	N/A	550kg

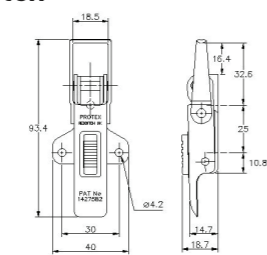
Non-Adjustable Latch



Accessories  
502/7 SS 502/9 SS

SKU	MATERIAL	FINISH	HOLE Ø	WEIGHT	LOCKABLE	SAFETY	SPRING	STRENGTH
57-2000MSZN	Mild Steel	Zinc	4.20mm	0.0655kg	No	No	N/A	450kg
57-2000SS	Stainless	SF	4.20mm	0.0642kg	No	No	N/A	500kg

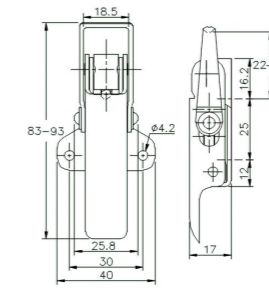
Non-Adjustable Latch with Safety Catch



Accessories  
502/7 SS 502/9 SS

SKU	MATERIAL	FINISH	HOLE Ø	WEIGHT	LOCKABLE	SAFETY	SPRING	STRENGTH
58-1182MSZN	Mild Steel	Zinc	4.20mm	0.1133kg	No	Yes	N/A	450kg
58-1182SS	Stainless	SF	4.20mm	0.1111kg	No	Yes	N/A	550kg

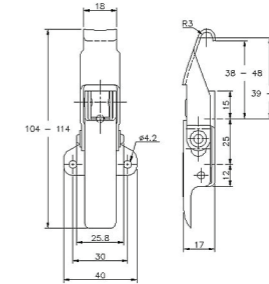
Adjustable Latch



Accessories  
502/7 SS 502/9 SS

SKU	MATERIAL	FINISH	HOLE Ø	WEIGHT	LOCKABLE	SAFETY	SPRING	STRENGTH
60-655MSZN/YP	Mild Steel	YP	4.20mm	0.0748kg	No	No	N/A	350kg
60-655SS	Stainless	SF	4.20mm	0.0744kg	No	No	N/A	400kg

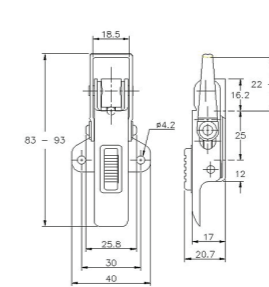
Adjustable Latch



Accessories  
502/7 SS 502/9 SS

SKU	MATERIAL	FINISH	HOLE Ø	WEIGHT	LOCKABLE	SAFETY	SPRING	STRENGTH
60-658MSZN/YP	Mild Steel	YP	4.20mm	0.0870kg	No	No	N/A	250kg
60-658SS	Stainless	SF	4.20mm	0.0863kg	No	No	N/A	175kg

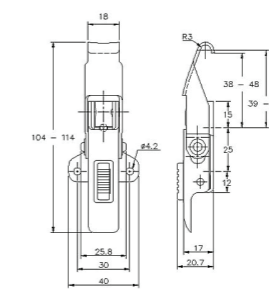
Adjustable Latch with Safety Catch



Accessories  
502/7 SS 502/9 SS

SKU	MATERIAL	FINISH	HOLE Ø	WEIGHT	LOCKABLE	SAFETY	SPRING	STRENGTH
61-655MSZN/YP	Mild Steel	YP	4.20mm	0.0772kg	No	Yes	N/A	400kg
61-655SS	Stainless	SF	4.20mm	0.0776kg	No	Yes	N/A	350kg

Adjustable Latch with Safety Catch



Accessories  
502/7 SS 502/9 SS

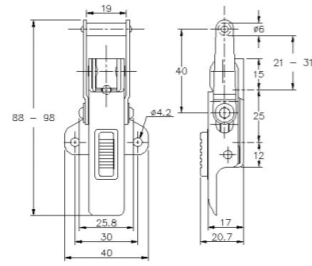
SKU	MATERIAL	FINISH	HOLE Ø	WEIGHT	LOCKABLE	SAFETY	SPRING	STRENGTH
61-658MSZN/YP	Mild Steel	YP	4.20mm	0.0904kg	No	Yes	N/A	250kg
61-658SS	Stainless	SF	4.20mm	0.0903kg	No	Yes	N/A	175kg



Medium Duty

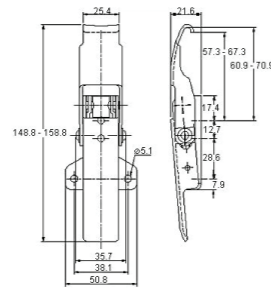
Medium Duty

Adjustable Latch with Safety Catch



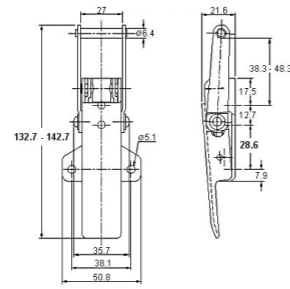
SKU	MATERIAL	FINISH	HOLE Ø	WEIGHT	LOCKABLE	SAFETY	SPRING	STRENGTH
61-1610MSZN/YP	Mild Steel	YP	4.20mm	0.0826kg	No	Yes	N/A	450kg
61-1610SS	Stainless	SF	4.20mm	0.0820kg	No	Yes	N/A	500kg

Adjustable Latch



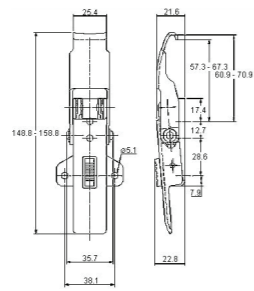
SKU	MATERIAL	FINISH	HOLE Ø	WEIGHT	LOCKABLE	SAFETY	SPRING	STRENGTH
70-653MSZN/YP	Mild Steel	YP	5.10mm	0.1722kg	No	No	N/A	450kg
70-653SS	Stainless	SF	5.10mm	0.1698kg	No	No	N/A	350kg

Adjustable Latch



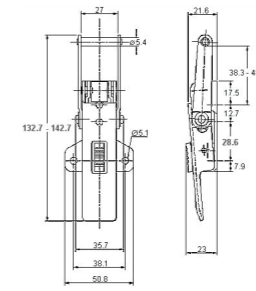
SKU	MATERIAL	FINISH	HOLE Ø	WEIGHT	LOCKABLE	SAFETY	SPRING	STRENGTH
70-1273MSZN/YP	Mild Steel	YP	5.10mm	0.1608kg	No	No	N/A	650kg
70-1273SS	Stainless	SF	5.10mm	0.1569kg	No	No	N/A	750kg

Adjustable Latch with Safety Catch



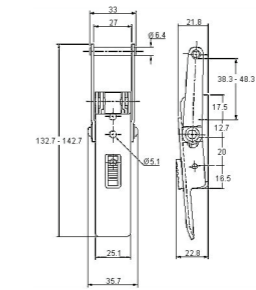
SKU	MATERIAL	FINISH	HOLE Ø	WEIGHT	LOCKABLE	SAFETY	SPRING	STRENGTH
71-653MSZN/YP	Mild Steel	YP	5.10mm	0.1750kg	No	Yes	N/A	450kg
71-653SS	Stainless	SF	5.10mm	0.1729kg	No	Yes	N/A	350kg

Adjustable Latch with Safety Catch



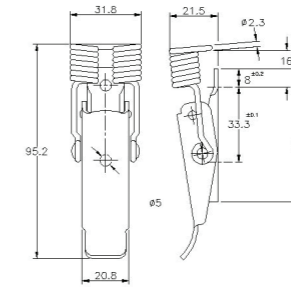
SKU	MATERIAL	FINISH	HOLE Ø	WEIGHT	LOCKABLE	SAFETY	SPRING	STRENGTH
71-1273MSZN/YP	Mild Steel	YP	5.10mm	0.1641kg	No	Yes	N/A	650kg
71-1273SS	Stainless	SF	5.10mm	0.1605kg	No	Yes	N/A	750kg

Adjustable Latch with Safety Catch



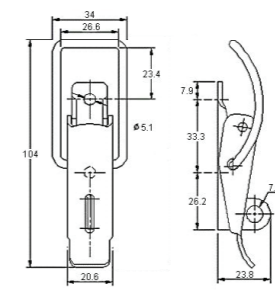
SKU	MATERIAL	FINISH	HOLE Ø	WEIGHT	LOCKABLE	SAFETY	SPRING	STRENGTH
71-2573MSZN/YP	Mild Steel	YP	5.10mm	0.1641kg	No	Yes	N/A	650kg
71-2573SS	Stainless	SF	5.10mm	0.1605kg	No	Yes	N/A	750kg

Spring Claw Latch



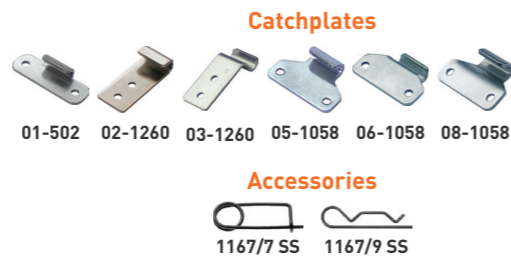
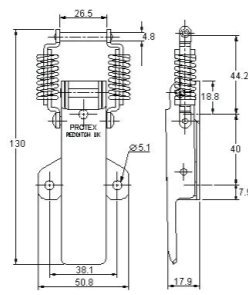
SKU	MATERIAL	FINISH	HOLE Ø	WEIGHT	LOCKABLE	SAFETY	SPRING	STRENGTH
30-521MSZN	Mild Steel	Zinc	5.10mm	0.0784kg	No	No	40kg@10.0mm	100kg
30-521SS	Stainless	SF	5.10mm	0.0721kg	No	No	30kg@10.0mm	80kg

Spring Claw Padlockable Latch



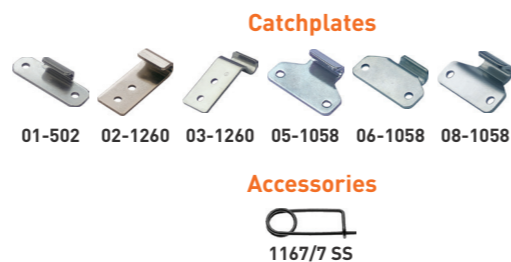
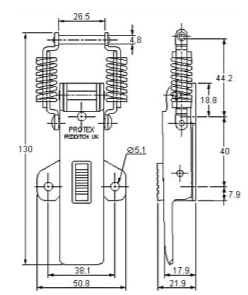
SKU	MATERIAL	FINISH	HOLE Ø	WEIGHT	LOCKABLE	SAFETY	SPRING	STRENGTH
30-670MSZN	Mild Steel	Zinc	5.10mm	0.0763kg	Yes	No	N/A	450kg
30-670SS	Stainless	SF	5.10mm	0.0719kg	Yes	No	N/A	550kg

Spring Claw Latch



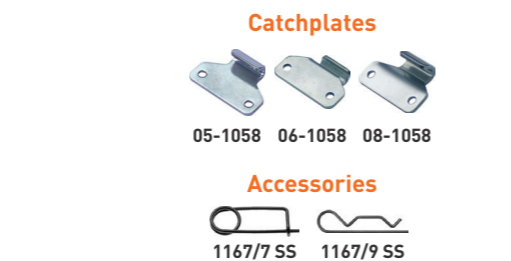
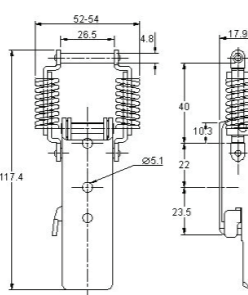
SKU	MATERIAL	FINISH	HOLE Ø	WEIGHT	LOCKABLE	SAFETY	SPRING	STRENGTH
35-1163MSZN	Mild Steel	Zinc	5.10mm	0.1446kg	No	No	64kg@6.0mm	64kg
35-1163SS	Stainless	SF	5.10mm	0.1416kg	No	No	45kg@5.0mm	45kg

Spring Claw Latch with Safety Catch



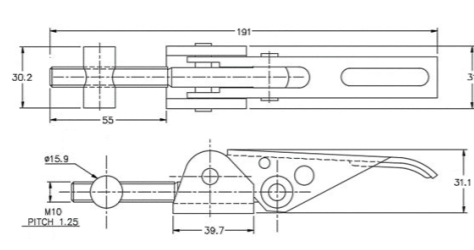
SKU	MATERIAL	FINISH	HOLE Ø	WEIGHT	LOCKABLE	SAFETY	SPRING	STRENGTH
36-1163MSZN	Mild Steel	Zinc	5.10mm	0.1467kg	No	Yes	64kg@6.0mm	64kg
36-1163SS	Stainless	SF	5.10mm	0.1446kg	No	Yes	45kg@5.0mm	45kg

Spring Claw Latch with Safety Catch



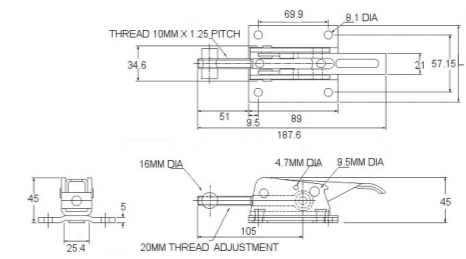
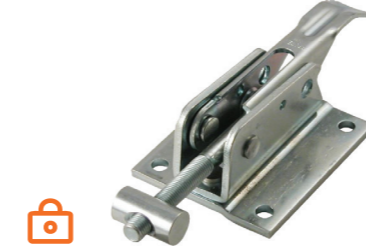
SKU	MATERIAL	FINISH	HOLE Ø	WEIGHT	LOCKABLE	SAFETY	SPRING	STRENGTH
38-2099MSZN	Mild Steel	Zinc	5.10mm	0.1344kg	No	Yes	64kg@6.0mm	64kg
38-2099SS	Stainless	SF	5.10mm	0.1340kg	No	Yes	45kg@5.0mm	45kg

Adjustable Heavy Duty Toggle Latch



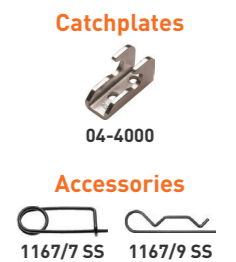
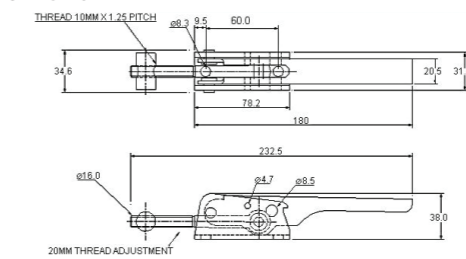
SKU	MATERIAL	FINISH	HOLE Ø	WEIGHT	LOCKABLE	SAFETY	SPRING	STRENGTH
40-663LBMSZN	Mild Steel	Zinc	N/A	0.3128kg	No	No	N/A	2000kg
40-663LBSS	Stainless	SF	N/A	0.3108kg	No	No	N/A	2500kg

Adjustable Padlockable Toggle Latch



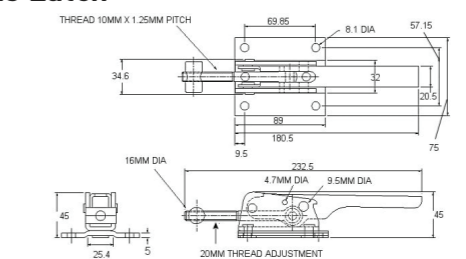
SKU	MATERIAL	FINISH	HOLE Ø	WEIGHT	LOCKABLE	SAFETY	SPRING	STRENGTH
43-3292MSZN	Mild Steel	Zinc	8.00mm	0.6797kg	Yes	No	N/A	2000kg
43-3292SS	Stainless	SF	8.00mm	0.6739kg	Yes	No	N/A	2500kg

Adjustable Padlockable Toggle Latch



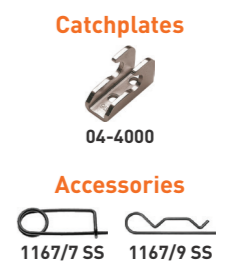
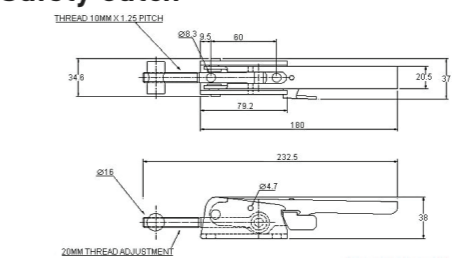
SKU	MATERIAL	FINISH	HOLE Ø	WEIGHT	LOCKABLE	SAFETY	SPRING	STRENGTH
43-4000MSZN	Mild Steel	Zinc	8.30mm	0.4668kg	Yes	No	N/A	2000kg
43-4000SS	Stainless	SF	8.30mm	0.4589kg	Yes	No	N/A	2500kg

Adjustable Padlockable Toggle Latch



SKU	MATERIAL	FINISH	HOLE Ø	WEIGHT	LOCKABLE	SAFETY	SPRING	STRENGTH
43-4292MSZN	Mild Steel	Zinc	8.10mm	0.7312kg	Yes	No	N/A	2000kg
43-4292SS	Stainless	SF	8.10mm	0.7267kg	Yes	No	N/A	2500kg

Adjustable Toggle Latch with Safety Catch



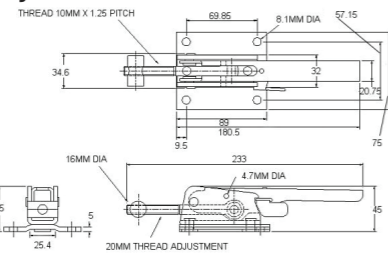
SKU	MATERIAL	FINISH	HOLE Ø	WEIGHT	LOCKABLE	SAFETY	SPRING	STRENGTH
44-4000MSZN	Mild Steel	Zinc	8.30mm	0.4909kg	No	Yes	N/A	2000kg
44-4000SS	Stainless	SF	8.30mm	0.4814kg	No	Yes	N/A	2500kg

Medium Duty

Heavy Duty



**Adjustable Toggle Latch with Safety Catch**



**Catchplates**



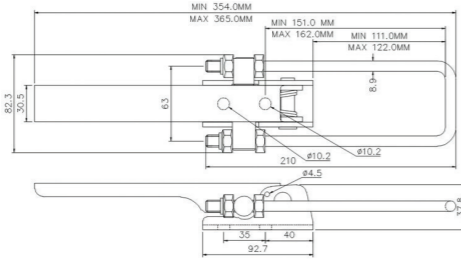
04-4292

**Accessories**



SKU	MATERIAL	FINISH	HOLE Ø	WEIGHT	LOCKABLE	SAFETY	SPRING	STRENGTH
44-4292MSZN	Mild Steel	Zinc	8.10mm	0.7560kg	No	Yes	N/A	2000kg
44-4292SS	Stainless	SF	8.10mm	0.7421kg	No	Yes	N/A	2500kg

**Adjustable Toggle Latch**



**Catchplates**



04-9000

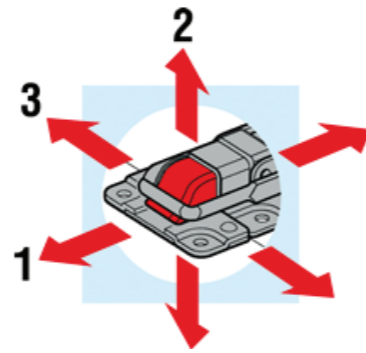
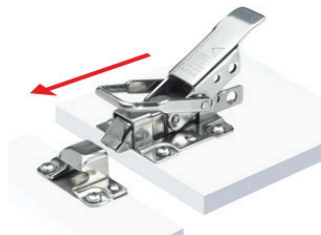
**Accessories**

N/A

SKU	MATERIAL	FINISH	HOLE Ø	WEIGHT	LOCKABLE	SAFETY	SPRING	STRENGTH
490-9000MSZN	Mild Steel	Zinc	N/A	0.9650kg	No	No	N/A	7000kg

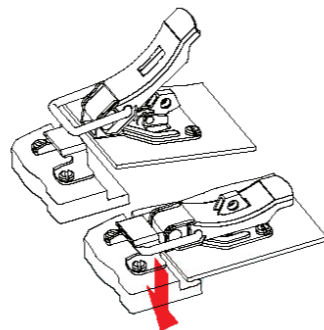
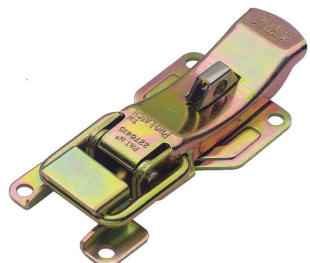
**CATCHBOLTS**

The unique PROTEX® CATCHBOLT holds firmly in three directions. The integral bolt forces a panel or door to close. The initial action of the lever will first draw two parts together. A safety catch is offered.

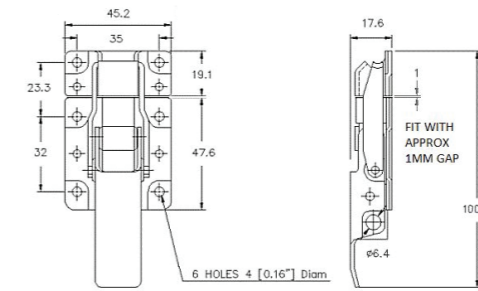
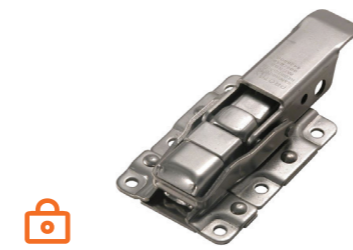


**PROLATCHES**

The unique PROTEX® PROLATCH forces a panel or door against a seal, and holds firmly in two planes. A safety catch is incorporated and provision for a padlock is offered.



**CatchBolt Padlockable**



**Catchplates**

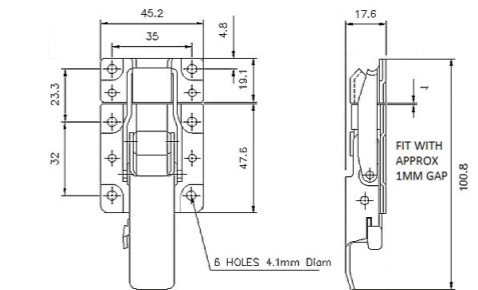
N/A

**Accessories**



SKU	MATERIAL	FINISH	HOLE Ø	WEIGHT	LOCKABLE	SAFETY	SPRING	STRENGTH
88-1068MSZN/YP	Mild Steel	YP	4.10mm	0.1212kg	Yes	No	N/A	400kg
88-1068SS	Stainless	SF	4.10mm	0.1211kg	Yes	No	N/A	600kg

**CatchBolt with Safety Catch**



**Catchplates**

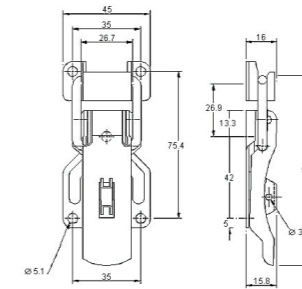
N/A

**Accessories**



SKU	MATERIAL	FINISH	HOLE Ø	WEIGHT	LOCKABLE	SAFETY	SPRING	STRENGTH
89-1069MSZN/YP	Mild Steel	YP	4.10mm	0.1286kg	No	Yes	N/A	400kg
89-1069SS	Stainless	SF	4.10mm	0.1260kg	No	Yes	N/A	600kg

**ProLatch with Safety Catch**



**Catchplates**



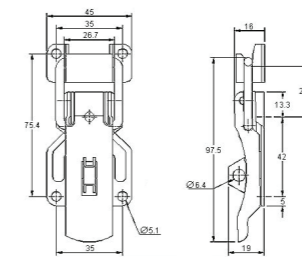
001-1000

**Accessories**



SKU	MATERIAL	FINISH	HOLE Ø	WEIGHT	LOCKABLE	SAFETY	SPRING	STRENGTH
640-1000MSZN/YP	Mild Steel	YP	5.10mm	0.0850kg	No	Yes	N/A	300kg
640-1000SS	Stainless	SF	5.10mm	0.0858kg	No	Yes	N/A	400kg

**ProLatch Padlockable with Safety Catch**



**Catchplates**



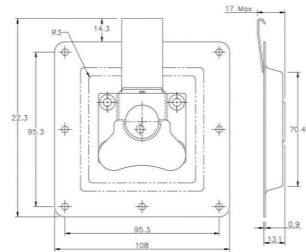
001-1000

**Accessories**

N/A

SKU	MATERIAL	FINISH	HOLE Ø	WEIGHT	LOCKABLE	SAFETY	SPRING	STRENGTH
641-1000MSZN/YP	Mild Steel	YP	5.10mm	0.0852kg	Yes	Yes	N/A	300kg
641-1000SS	Stainless	SF	5.10mm	0.0853kg	Yes	Yes	N/A	400kg

Rotary Turn Latch in Recess Dish



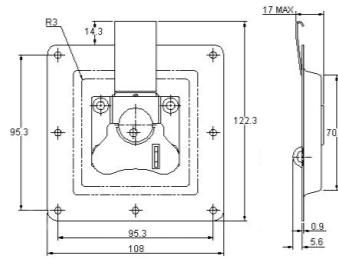
Catchplates



04-674

SKU	MATERIAL	FINISH	HOLE Ø	WEIGHT	LOCKABLE	SAFETY	SPRING	STRENGTH
62-674MSZN	Mild Steel	Zinc	4.10mm	0.2046kg	No	No	N/A	100kg
62-674/5MMSS	Stainless	SF	5.10mm	0.1730kg	No	No	N/A	60kg

Rotary Turn Latch in Recess Dish



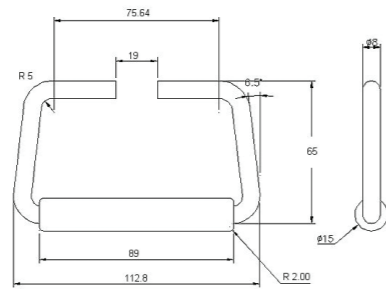
Catchplates



04-674

SKU	MATERIAL	FINISH	HOLE Ø	WEIGHT	LOCKABLE	SAFETY	SPRING	STRENGTH
62-1080MSZN	Mild Steel	Zinc	4.10mm	0.2060kg	Yes	No	N/A	100kg
62-1080/5MMSS	Stainless	SF	5.10mm	0.1741kg	Yes	No	N/A	60kg

Handle with Moulded Grip



Baseplates

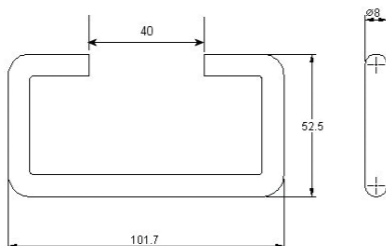


93-1044B

94-120B

SKU	MATERIAL	FINISH	HOLE Ø	WEIGHT	LOCKABLE	SAFETY	SPRING	STRENGTH
93-1044AMSZN	Mild Steel	Zinc	N/A	0.1235kg	No	No	N/A	100kg
93-1044ASS	Stainless	SF	N/A	0.1197kg	No	No	N/A	175kg

Handle



Baseplates

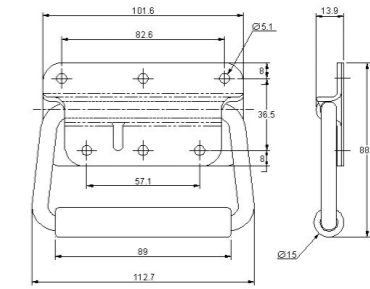


93-1044B

94-120B

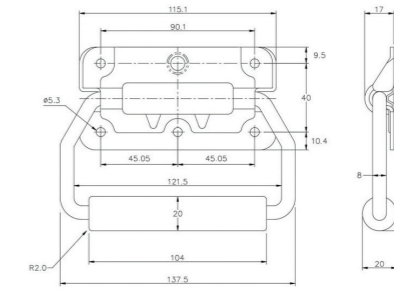
SKU	MATERIAL	FINISH	HOLE Ø	WEIGHT	LOCKABLE	SAFETY	SPRING	STRENGTH
94-120AMSZN	Mild Steel	Zinc	N/A	0.0850kg	No	No	N/A	100kg
94-120ASS	Stainless	SF	N/A	0.0855kg	No	No	N/A	150kg

Spring Loaded Handle



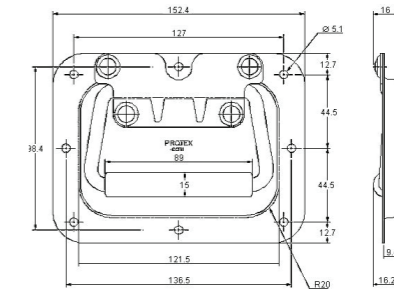
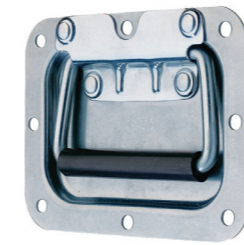
SKU	MATERIAL	FINISH	HOLE Ø	WEIGHT	LOCKABLE	SAFETY	SPRING	STRENGTH
95-637MSZN	Mild Steel	Zinc	5.10mm	0.2596kg	No	No	N/A	100kg
95-637SS	Stainless	SF	5.10mm	0.2547kg	No	No	N/A	150kg

Spring Loaded Handle



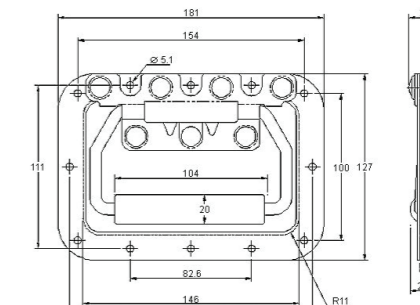
SKU	MATERIAL	FINISH	HOLE Ø	WEIGHT	LOCKABLE	SAFETY	SPRING	STRENGTH
98-651MSZN	Mild Steel	Zinc	5.30mm	0.3438kg	No	No	N/A	450kg
98-651SS	Stainless	SF	5.30mm	0.3420kg	No	No	N/A	450kg

Recessed Spring Loaded Handle



SKU	MATERIAL	FINISH	HOLE Ø	WEIGHT	LOCKABLE	SAFETY	SPRING	STRENGTH
97-596MSZN	Mild Steel	Zinc	5.10mm	0.3509kg	No	No	N/A	100kg
97-596SS	Stainless	SF	5.10mm	0.3561kg	No	No	N/A	150kg

Recessed Spring Loaded Handle



SKU	MATERIAL	FINISH	HOLE Ø	WEIGHT	LOCKABLE	SAFETY	SPRING	STRENGTH
97-1030MSZN	Mild Steel	Zinc	5.10mm	0.5632kg	No	No	N/A	300kg

Case Fitting

Case Fitting





**“FOR EVERTHING THAT OPENS AND SCHUTTS”**

# PROTEX®

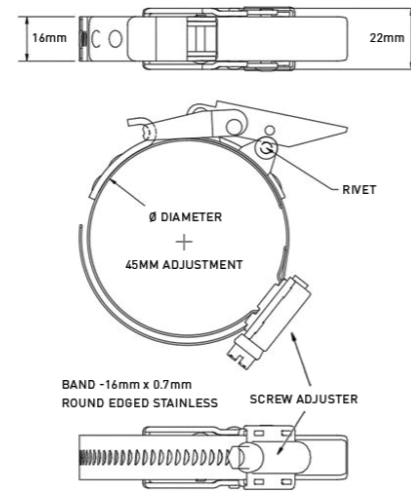
---

## BANDCLAMPS

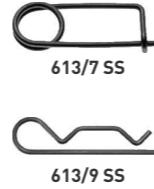


<b>01</b> Hi-Torque Bandclamps	<b>24</b>
<b>02</b> Hi-Grip Bandclamps	<b>25</b>
<b>03</b> Large Diameter Hi-Torque Bandclamps	<b>26</b>
<b>04</b> Safety Catch Bandclamp	<b>26</b>

Hi-Torque Rigid Claw Quick Release Bandclamp

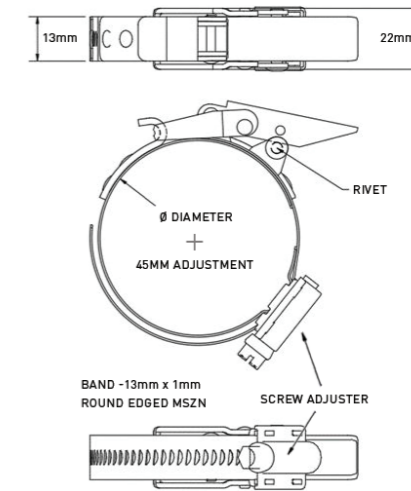


Accessories

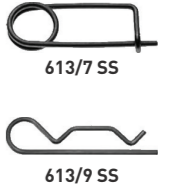


SKU	MATERIAL	FINISH	DIAMETER Ø	WEIGHT	LOCKABLE	SAFETY	SPRING	STRENGTH
27-HT070-115SS	Stainless	SF	70-115mm	0.1268kg	No	No	N/A	200kg
27-HT090-135SS	Stainless	SF	90-135mm	0.1317kg	No	No	N/A	200kg
27-HT130-175SS	Stainless	SF	130-175mm	0.1446kg	No	No	N/A	200kg
27-HT170-215SS	Stainless	SF	170-215mm	0.1582kg	No	No	N/A	200kg
27-HT210-255SS	Stainless	SF	210-255mm	0.1710kg	No	No	N/A	200kg
27-HT250-295SS	Stainless	SF	250-295mm	0.1812kg	No	No	N/A	200kg
27-HT290-335SS	Stainless	SF	290-335mm	0.1962kg	No	No	N/A	200kg
27-HT330-375SS	Stainless	SF	330-375mm	0.2072kg	No	No	N/A	200kg

Hi-Grip Rigid Claw Quick Release Bandclamp

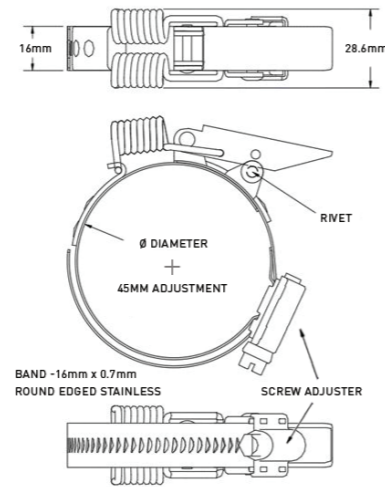


Accessories

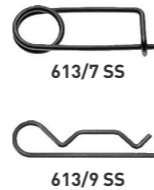


SKU	MATERIAL	FINISH	DIAMETER Ø	WEIGHT	LOCKABLE	SAFETY	SPRING	STRENGTH
27-HGR070-115ZN	Mild Steel	Zinc	70-115mm	0.1302kg	No	No	N/A	150kg
27-HGR090-135ZN	Mild Steel	Zinc	90-135mm	0.1340kg	No	No	N/A	150kg
27-HGR130-175ZN	Mild Steel	Zinc	130-175mm	0.1491kg	No	No	N/A	150kg
27-HGR170-215ZN	Mild Steel	Zinc	170-215mm	0.1579kg	No	No	N/A	150kg
27-HGR210-255ZN	Mild Steel	Zinc	210-255mm	0.1742kg	No	No	N/A	150kg
27-HGR250-295ZN	Mild Steel	Zinc	250-295mm	0.1848kg	No	No	N/A	150kg
27-HGR290-335ZN	Mild Steel	Zinc	290-335mm	0.2014kg	No	No	N/A	150kg
27-HGR330-375ZN	Mild Steel	Zinc	330-375mm	0.2102kg	No	No	N/A	150kg

Hi-Torque Spring Claw Quick Release Bandclamp

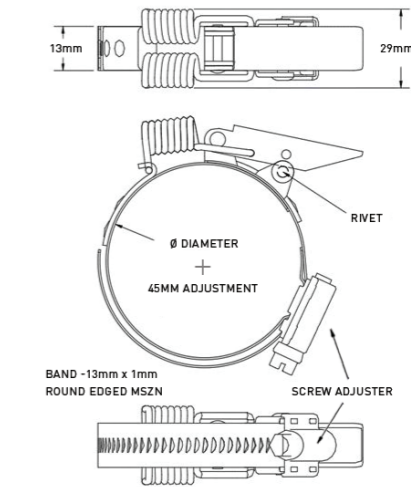


Accessories

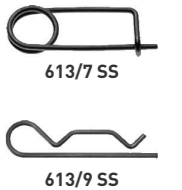


SKU	MATERIAL	FINISH	DIAMETER Ø	WEIGHT	LOCKABLE	SAFETY	SPRING	STRENGTH
27SPG-HT070-115SS	Stainless	SF	70-115mm	0.1302kg	No	No	Yes	40kg
27SPG-HT090-135SS	Stainless	SF	90-135mm	0.1340kg	No	No	Yes	40kg
27SPG-HT130-175SS	Stainless	SF	130-175mm	0.1491kg	No	No	Yes	40kg
27SPG-HT170-215SS	Stainless	SF	170-215mm	0.1579kg	No	No	Yes	40kg
27SPG-HT210-255SS	Stainless	SF	210-255mm	0.1742kg	No	No	Yes	40kg
27SPG-HT250-295SS	Stainless	SF	250-295mm	0.1848kg	No	No	Yes	40kg
27SPG-HT290-335SS	Stainless	SF	290-335mm	0.20142kg	No	No	Yes	40kg
27SPG-HT330-375SS	Stainless	SF	330-375mm	0.2102kg	No	No	Yes	40kg

Hi-Grip Spring Claw Quick Release Bandclamp



Accessories

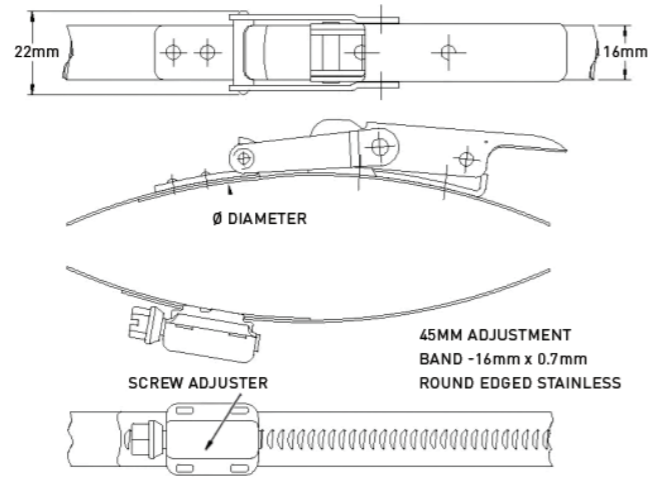


SKU	MATERIAL	FINISH	DIAMETER Ø	WEIGHT	LOCKABLE	SAFETY	SPRING	STRENGTH
27SPG-HGR070-115ZN	Mild Steel	Zinc	70-115mm	0.1230kg	No	No	Yes	25kg
27SPG-HGR090-135ZN	Mild Steel	Zinc	90-135mm	0.1261kg	No	No	Yes	25kg
27SPG-HGR130-175ZN	Mild Steel	Zinc	130-175mm	0.1413kg	No	No	Yes	25kg
27SPG-HGR170-215ZN	Mild Steel	Zinc	170-215mm	0.1492kg	No	No	Yes	25kg
27SPG-HGR210-255ZN	Mild Steel	Zinc	210-255mm	0.1617kg	No	No	Yes	25kg
27SPG-HGR250-295ZN	Mild Steel	Zinc	250-295mm	0.1720kg	No	No	Yes	25kg
27SPG-HGR290-335ZN	Mild Steel	Zinc	290-335mm	0.1844kg	No	No	Yes	25kg
27SPG-HGR330-375ZN	Mild Steel	Zinc	330-375mm	0.1966kg	No	No	Yes	25kg



Heavy Duty Hi-Torque Rigid Claw Quick Release Bandclamp

Heavy Duty

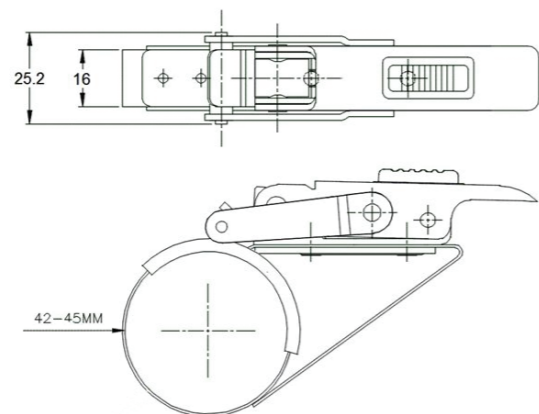


Accessories



SKU	MATERIAL	FINISH	DIAMETER Ø	WEIGHT	LOCKABLE	SAFETY	SPRING	STRENGTH
57-HT250-295SS	Stainless	SF	250-295mm	0.2039kg	No	No	N/A	450kg
57-HT290-335SS	Stainless	SF	290-335mm	0.2185kg	No	No	N/A	450kg
57-HT330-375SS	Stainless	SF	330-375mm	0.2305kg	No	No	N/A	450kg
57-HT370-415SS	Stainless	SF	370-415mm	0.2451kg	No	No	N/A	450kg
57-HT410-455SS	Stainless	SF	410-455mm	0.2554kg	No	No	N/A	450kg
57-HT450-495SS	Stainless	SF	450-495mm	0.2739kg	No	No	N/A	450kg
57-HT490-535SS	Stainless	SF	490-535mm	0.2799kg	No	No	N/A	450kg
57-HT530-575SS	Stainless	SF	530-575mm	0.2884kg	No	No	N/A	450kg
57-HT570-615SS	Stainless	SF	570-615mm	0.2990kg	No	No	N/A	450kg
57-HT610-655SS	Stainless	SF	610-655mm	0.3109kg	No	No	N/A	450kg

Quick Release Bandclamp with Safety Catch



Accessories



SKU	MATERIAL	FINISH	DIAMETER Ø	WEIGHT	LOCKABLE	SAFETY	SPRING	STRENGTH
61-175PBCSS042-045	Stainless	SF	42-45mm	0.1317kg	No	Yes	N/A	450kg

# HANDLES



- 01 D Pull Handles 28

---

- 02 Chest Handles 28

---

- 03 Case Fitting Handles 29-30

---

- 04 T Handles 30-31

---

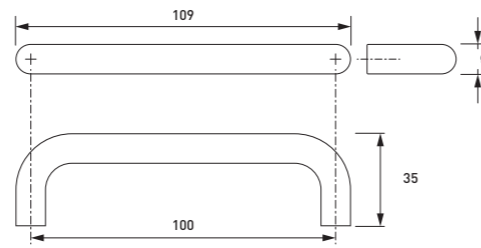
- 05 Lever Handles 31

---

- 06 Swing Handles 32

---

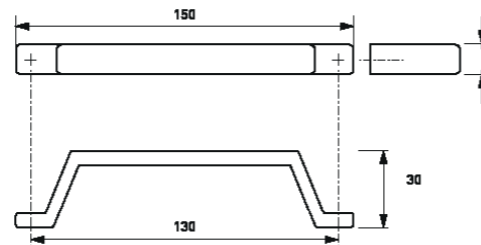
D Shape Pull Handle



NOTE: 316 Grade Stainless Steel is Available on Enquire

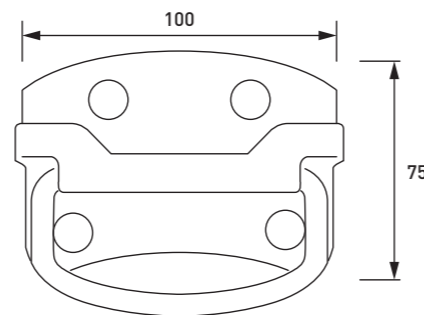
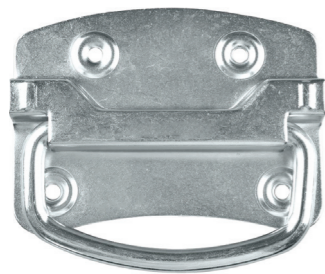
SKU	MATERIAL	FINISH	DIAMETER Ø	FIXING CENTERS	LENGTH	HEIGHT
DPULL100MM30455	304 Stainless Steel	SF	8mm	100mm	109mm	35mm
DPULL100MM	Brass	Chrome	8mm	100mm	109mm	35mm

D Flat Diecast Handle



SKU	MATERIAL	FINISH	FIXING CENTERS	LENGTH	HEIGHT	WIDTH
FLATDHANDLE	Brass	Chrome	130mm	150mm	30mm	18mm

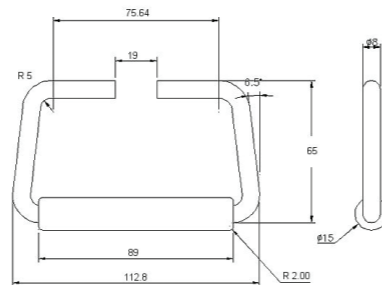
Chest Handle



SKU	MATERIAL	FINISH	LENGTH	WIDTH
11605	Mild Steel	Zinc	100mm	75mm

Case Handle with Moulded Grip

Baseplates

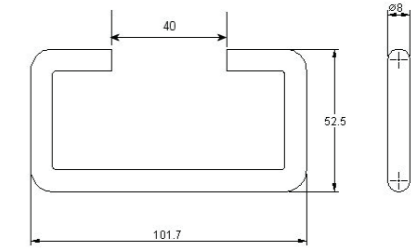


SKU	MATERIAL	FINISH	HOLE Ø	WEIGHT	LOCKABLE	SAFETY	SPRING	STRENGTH
93-1044AMSZN	Mild Steel	Zinc	N/A	0.1235kg	No	No	N/A	100kg
93-1044ASS	Stainless	SF	N/A	0.1197kg	No	No	N/A	175kg

Case Handle

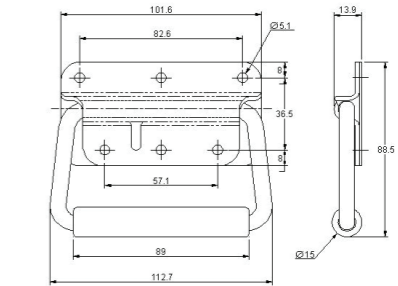


Baseplates



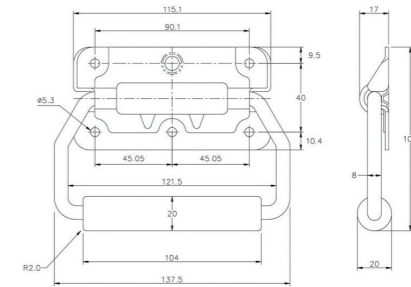
SKU	MATERIAL	FINISH	HOLE Ø	WEIGHT	LOCKABLE	SAFETY	SPRING	STRENGTH
94-120AMSZN	Mild Steel	Zinc	N/A	0.0850kg	No	No	N/A	100kg
94-120ASS	Stainless	SF	N/A	0.0855kg	No	No	N/A	150kg

Spring Loaded Case Handle



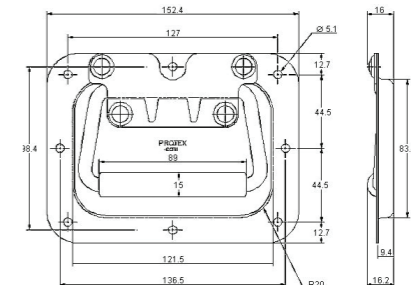
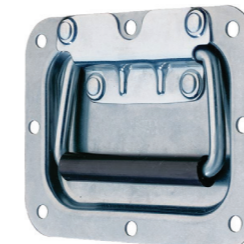
SKU	MATERIAL	FINISH	HOLE Ø	WEIGHT	LOCKABLE	SAFETY	SPRING	STRENGTH
95-637MSZN	Mild Steel	Zinc	5.10mm	0.2596kg	No	No	N/A	100kg
95-637SS	Stainless	SF	5.10mm	0.2547kg	No	No	N/A	150kg

Spring Loaded Case Handle



SKU	MATERIAL	FINISH	HOLE Ø	WEIGHT	LOCKABLE	SAFETY	SPRING	STRENGTH
98-651MSZN	Mild Steel	Zinc	5.30mm	0.3438kg	No	No	N/A	450kg
98-651SS	Stainless	SF	5.30mm	0.3420kg	No	No	N/A	450kg

Recessed Spring Loaded Case Handle



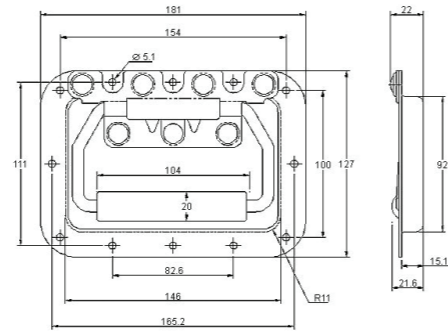
SKU	MATERIAL	FINISH	HOLE Ø	WEIGHT	LOCKABLE	SAFETY	SPRING	STRENGTH
97-596MSZN	Mild Steel	Zinc	5.10mm	0.3509kg	No	No	N/A	100kg
97-596SS	Stainless	SF	5.10mm	0.3561kg	No	No	N/A	150kg

D Handle

Case Handle

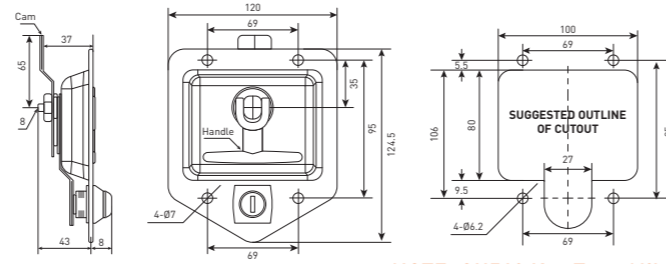


Recessed Spring Loaded Case Handle



SKU	MATERIAL	FINISH	HOLE Ø	WEIGHT	LOCKABLE	SAFETY	SPRING	STRENGTH
97-1030MSZN	Mild Steel	Zinc	5.10mm	0.5632kg	No	No	N/A	300kg

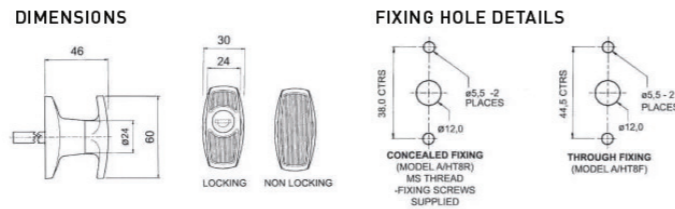
Drop T Handle Lock



NOTE: CH510 Key Type Alike

SKU	MATERIAL	FINISH	WITH THREADED STUDS	LOCK DIAMETER Ø	FIXING CENTERS	LENGTH	HEIGHT	WIDTH
CS2000SS	Stainless	SF	No	32mm	69mm / 95mm	51mm	124.5mm	120mm
CS2000SSTUD	Stainless	SF	Yes	32mm	69mm / 95mm	51mm	124.5mm	120mm

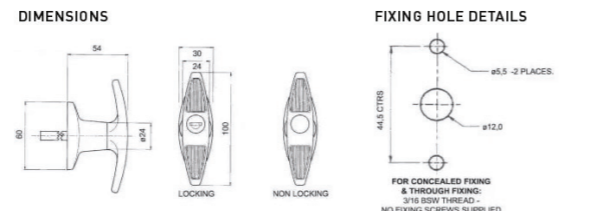
Small T Shape Handle - Rear Fix



NOTE: Most Key Types, Non-Locking and Cam Options are Available

SKU	MATERIAL FINISH	LOCK DIAMETER Ø	FIXING CENTERS	LENGTH	HEIGHT	WIDTH
SMLTRF001	Chrome	24mm	38mm	46mm	30mm	60mm
SMLTRF003	Chrome	24mm	38mm	46mm	30mm	60mm
SMLTRF268	Chrome	24mm	38mm	46mm	30mm	60mm

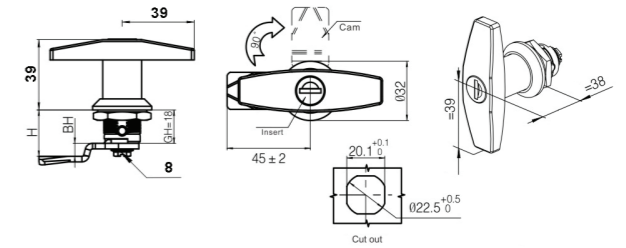
Large T Shape Handle - Rear Fix



NOTE: Most Key Types, Non-Locking and Cam Options are Available

SKU	MATERIAL FINISH	LOCK DIAMETER Ø	FIXING CENTERS	LENGTH	HEIGHT	WIDTH
LGETRFNL	Chrome	Non Locking	44.5mm	54mm	30mm	100mm
LGETRF001	Chrome	24mm	44.5mm	54mm	30mm	100mm
LGETRF268	Chrome	24mm	44.5mm	64mm	30mm	100mm

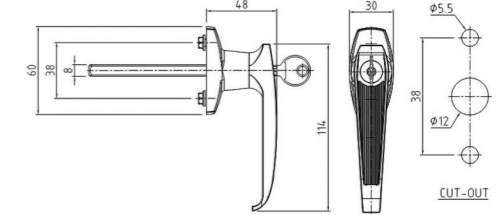
Large T Shape Handle - 1/4 Turn



NOTE: CL001 & 92268 Key Types and Cam Options are Available

SKU	MATERIAL	FINISH	LOCK DIAMETER Ø	LENGTH	HEIGHT	WIDTH
CHROME14TURNCL001	Brass	Chrome	32mm	39mm	32mm	90mm
CHROME14TURN92268	Brass	Chrome	32mm	39mm	32mm	90mm

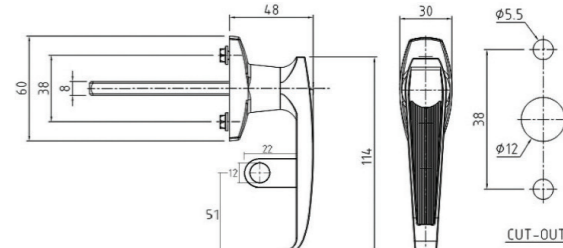
Key Locking Lever Handle



NOTE: Most Key Types, Non-Locking and Cam Options are Available

SKU	MATERIAL	FINISH	LOCK DIAMETER Ø	FIXING CENTERS	LENGTH	HEIGHT	WIDTH
LEVERRFNL	Stainless	SF	Non-Locking	38mm	48mm	114mm	30mm
LEVERRF001	Stainless	SF	12mm	38mm	48mm	114mm	30mm
LEVERRF268	Stainless	SF	12mm	38mm	48mm	114mm	30mm

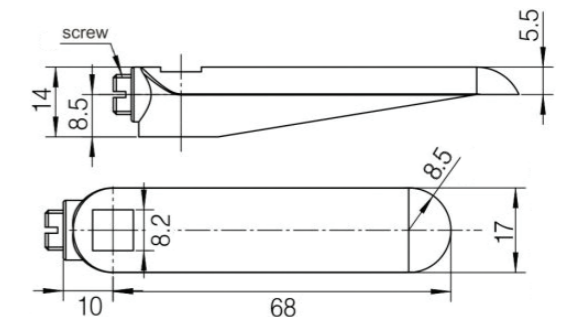
Padlockable Lever Handle with HASP Bracket



NOTE: Clockwise or Anti-clockwise unlockable are Available

SKU	MATERIAL	FINISH	LOCK DIAMETER Ø	FIXING CENTERS	LENGTH	HEIGHT	WIDTH
PADLEVCW	Stainless	SF	12mm	38mm	48mm	115mm	30mm
PADLEVCW	Stainless	SF	12mm	38mm	48mm	115mm	30mm

Die Cast Cam to Suit T Handles, Lever Handles

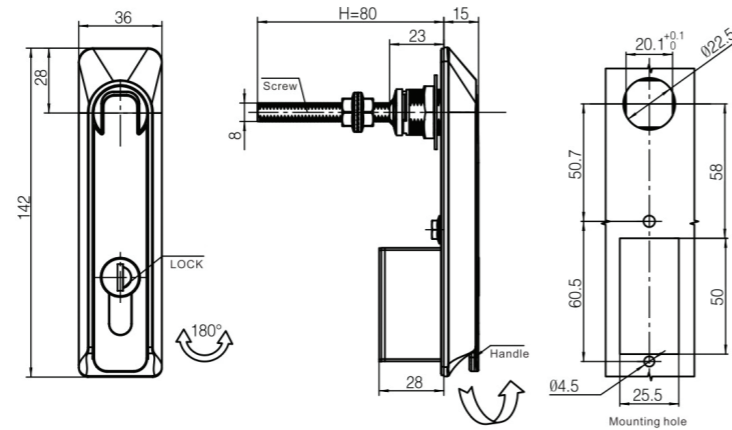


SKU	MATERIAL	FINISH	SPINDLE SIZE	LENGTH	HEIGHT	WIDTH
CAMDIECAST	Mild Steel	Zinc	8mm	78mm	14mm	17mm

T Handle

Lever Handle

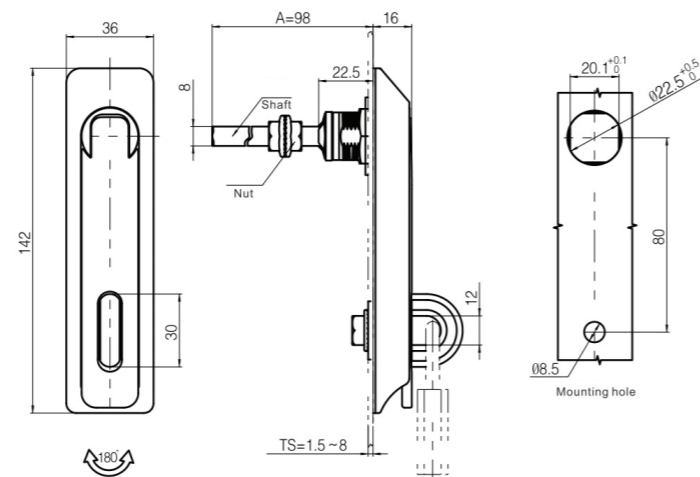
Key Locking Swing Handle



NOTE: Cam Options are Available

SKU	MATERIAL	FINISH	LOCK DIAMETER Ø	FIXING CENTERS	LENGTH	HEIGHT	WIDTH
11075CC0301	Brass	Chrome	22.5mm	60.5mm	142mm	15mm	36mm
MILCENIUMSS	Stainless	SF	22.5mm	60.5mm	142mm	15mm	36mm

Padlockable Swing Handle



NOTE: Cam Options are Available

SKU	MATERIAL	FINISH	LOCK DIAMETER Ø	FIXING CENTERS	LENGTH	HEIGHT	WIDTH
11075CC0460	Brass	Chrome	22.5mm	80mm	142mm	15mm	36mm
11075S0231660	Stainless	SF	22.5mm	80mm	142mm	15mm	36mm



# LOCKS



01 Cam Locks

34-35

02 1/4 Turn Locks

36

03 3 Way Rods

37



### CAM LOCKS

A small scale lock that is commonly used for petty cash lock boxes and letter boxes, these are also referred to as coin locks.

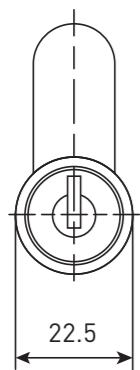
#### Round Face Cam Lock



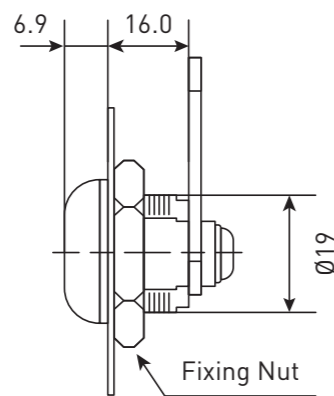
16MM ROUND FACE Technical Information	
SKU	16MMRF001
MATERIAL	Steel
WIDTH	22.5mm
LENGTH	22.5mm
THREAD L	16mm

19MM ROUND FACE Technical Information	
SKU	19MMRF001
MATERIAL	Steel
WIDTH	22.2mm
LENGTH	22.2mm
THREAD L	19mm

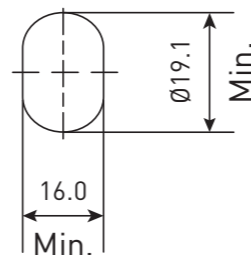
#### 16mm Cam Lock Size



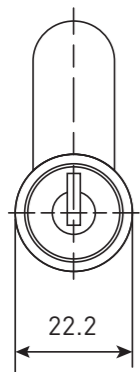
Round Face



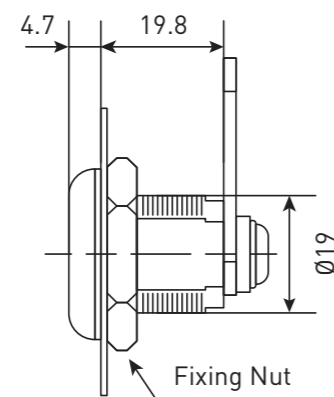
Hole to suit  
16mm camlock



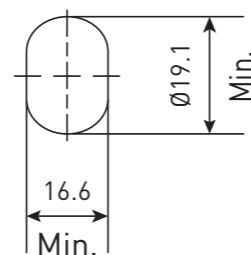
#### 19mm Cam Lock Size



Round Face



Hole to suit  
19mm camlock

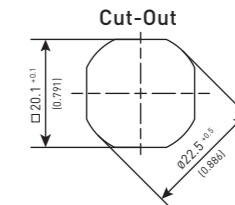
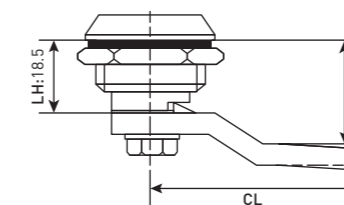


### QUARTER TURN LOCKS

A quarter turn lock locking mechanism 1/4 circle. This lock is commonly used in cabinets, enclosures, and other applications.



#### 1/4 TURN LOCK FACE OPTIONS



SKU	LOCK FACE	MATERIAL	H=	OFFSET
SL8SUSS/H25	8mm Square	Stainless	25mm	7mm
SL8SUSS/H40	8mm Square	Stainless	40mm	22mm
SL8TSS/H25	Triangle	Stainless	25mm	7mm
SL8SSS/H25	Square with Slot	Stainless	25mm	7mm
SL8SSS/H32	Square with Slot	Stainless	32mm	14mm
SL8SSS/H40	Square with Slot	Stainless	40mm	22mm

SKU	LOCK FACE	MATERIAL	H=	OFFSET
SL7S	7mm Square	Steel	25mm	7mm
SL8S	8mm Square	Steel	40mm	22mm
SL8TS	Triangle	Steel	25mm	7mm
SL8ES	Driver Slot	Steel		
SL8D3	3mm Pin	Steel		
SL8D5	5mm Pin	Steel		

#### CAM OPTIONS

SKU	H=	CAM OFFSET
SC20	20mm	2mm
SC25	25mm	7mm
SC28	28mm	10mm
SC32	32mm	14mm
SC40	40mm	22mm
SC44	44mm	26mm
SC57	57mm	39mm

#### KEY OPTIONS

SKU	TO SUIT LOCK
SL7SK	SL7S
SL8TK	SL8T
SL8SK	SL8S
	SL8SS
SL8DK	SL8D3
	SL8D5

NOTE: \* Stainless Steel is Available on Request.

Cam Locks

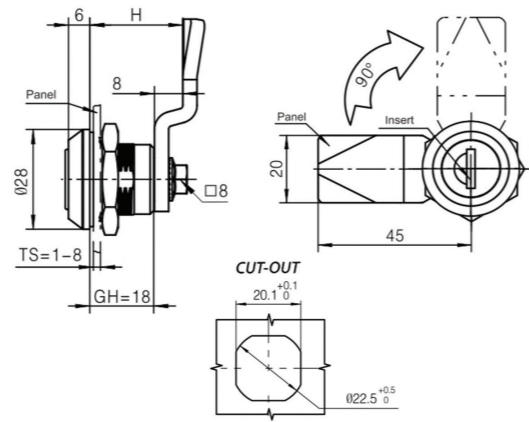
1/4 Turn Locks

Locking Quarter Turn Lock



NOTE: CL001 Key Types and Cam Options are Available

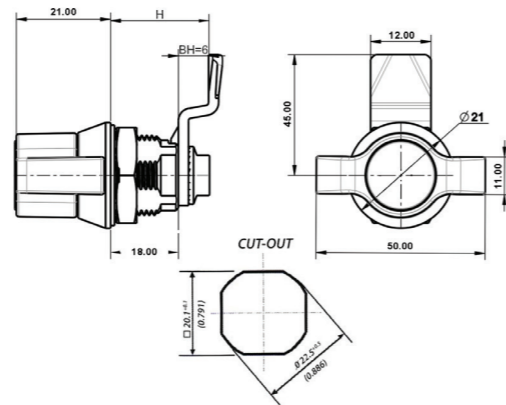
SKU	MATERIAL	FINISH
1/4TURNCL001	Steel	Chrome



Non-Locking Quarter Turn Lock with Wing



SKU	MATERIAL	FINISH
10000149	Steel	Chrome

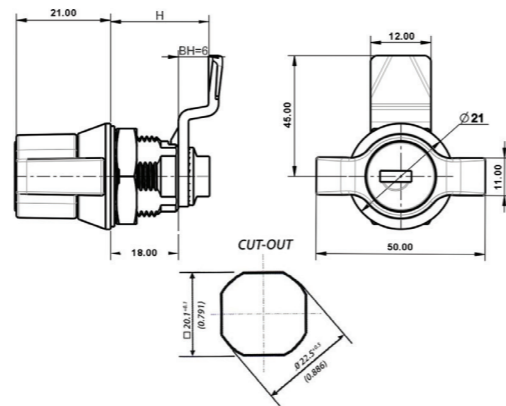


Locking Quarter Turn Lock with Wing



NOTE: CL001 Key Types and Cam Options are Available

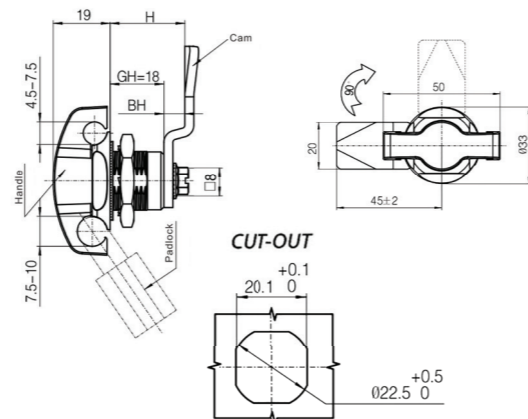
SKU	MATERIAL	FINISH
QTW-001-26	Steel	Black
QTW-001-24	Steel	Chrome



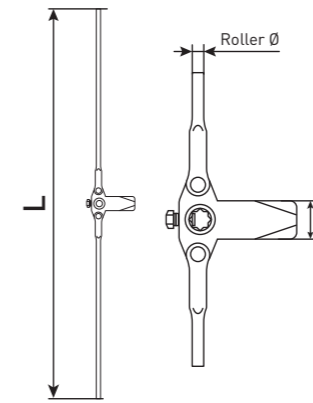
Padlockable Quarter Turn Lock with Wing



SKU	MATERIAL	FINISH
1/4TRUNDOUBLEPADLOCK	Steel	Chrome



3 Point Riveted Rods

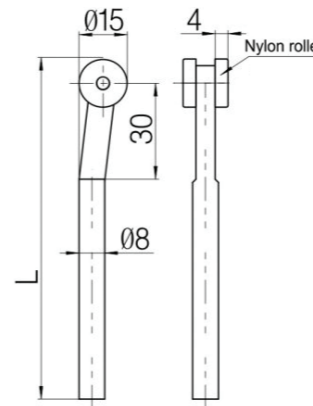


Riveted Rods 9mmØ

This rod lock is a 3 point locking system, and can be fitted with a handle using the 9mm hole. 3 point rod set for use in vehicle access doors, tool boxes and ute canopies.

SKU	ROLLER DIAMETER Ø	LENGTH
ROD-1200	8mm	1200mm
ROD-1800	8mm	1800mm
ROD-2400	9mm	2400mm

3 Point Roller Rods

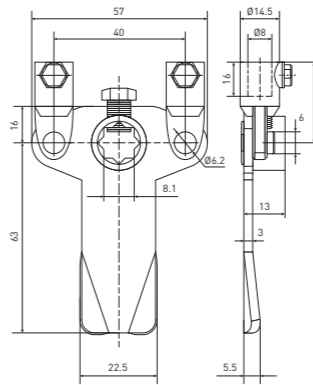


Roller Rods 8mmØ

The rollers on this rod allow to smooth movement when opening and closing a lock. This rod is to be used in conjunction with a handle, drop T lock, or other accessory.

SKU	ROLLER DIAMETER Ø	WHEEL DIAMETER Ø	LENGTH
TLR12	8mm	15mm	1200mm
TLR18	8mm	15mm	1800mm
TLR24	9mm	15mm	2400mm

Roller Rod Cam

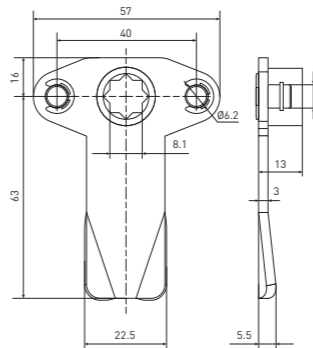


Roller Rod Cam

Cam to suit Roller Rods. The 3 way cam is designed for use with a handle, and plain ended rods. Commonly used in applications on motor homes, utes, tray backs, camper trailers and tool boxes. Also used for mining, vehicle body manufacture, transport, marine and defence vehicles.

SKU	LENGTH	WIDTH	HEIGHT
S3BCAM	90mm	45mm (CTC)	20mm

Clip Style Cam



Clip Style Cam

The 3 point cam is designed for use with a handle. Commonly used in applications on motor homes, utes, tray backs, camper trailers and tool boxes. Also used for mining, vehicle body manufacture, transport, marine and defence vehicles.

SKU	MATERIAL	FINISH	LENGTH	WIDTH	THICK
CAM-STEEL	Mild Steel	Zinc	63mm	57mm (Overall) 40MM (CTC)	3mm

1/4 Turn Locks

3 Way Rods





“FOR EVERTHING THAT OPENS AND SCHUTTS”

# RUBBER



01 Self Adhesive Rubber

40

02 Pinchweld Rubber

41

Self Adhesive Rubber



Self Adhesive rubber is made to last and is well suited for use outdoors or in areas exposed to harsh weather conditions (Black Rubber Only). This versatile product is a handy tool perfect for use in most construction or automotive industries.

NOTE: Available in Closed Cell (Black) or Open Cell (Grey).

SKU	WIDTH	THICKNESS	LENGTH
SA-RUB 0903	9mm	3mm	25 Meter
SA-RUB 1203	12mm	3mm	25 Meter
SA-RUB 1206	12mm	6mm	12.5 Meter
SA-RUB 2003	20m	3mm	25 Meter
SA-RUB 2006	20m	6mm	12.5 Meter
SA-RUB 2403	24mm	3mm	25 Meter
SA-RUB 2406	24mm	6mm	12.5 Meter
SA-RUB 2409.5	24mm	9.5mm	8 Meter

Pinchweld Rubber

Pinchweld Rubber are multipurpose rubber fittings used for a range of applications. They can be used as protective covers over sharp or exposed metal, glass or fibre glass edges.

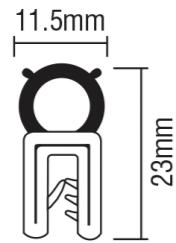
By gripping the edge of the panel, they can create a dust-proof and waterproof seal around openings in doors, windows, boots, bonnets, boxes and more. They can also be used to help with soft closing and to reduce rattling between panels.

Our quality pinchweld rubber is on side black 50 metre roll and sold per metre, minimum order quantity is 5 meters.

NOTE: Other Sizes Available On Request.

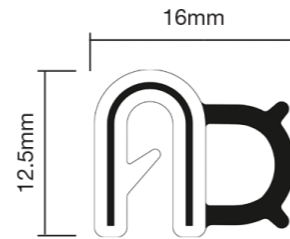


Pinchweld Door Seal Cage with Top Bulb



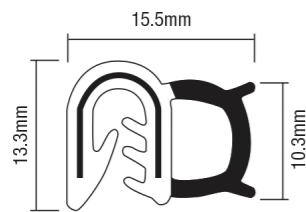
SKU	GRIP RANGE	ROLL SIZE	MINI ORDER QTY
60-051	0.5 - 4.0mm	50m	5m

Pinchweld Door Seal with Side Bulb



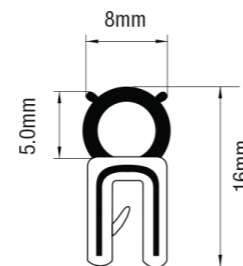
SKU	GRIP RANGE	ROLL SIZE	MINI ORDER QTY
60-052	1.0 - 2.5mm	50m	5m

Pinchweld Door Seal with Side Bulb



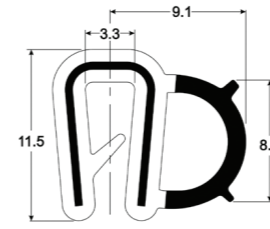
SKU	GRIP RANGE	ROLL SIZE	MINI ORDER QTY
60-053	0.5 - 4.0mm	50m	5m

Pinchweld Door Seal Cage with Top Bulb



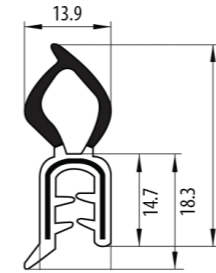
SKU	GRIP RANGE	ROLL SIZE	MINI ORDER QTY
60-057	1.0 - 2.0mm	50m	5m

Pinchweld Door Seal with Side Bulb



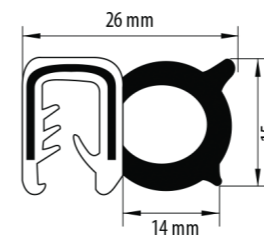
SKU	GRIP RANGE	ROLL SIZE	MINI ORDER QTY
60-058	1.0 - 2.0mm	50m	5m

Pinchweld Door Seal with Top Bulb



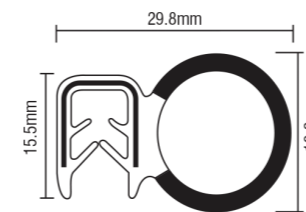
SKU	GRIP RANGE	ROLL SIZE	MINI ORDER QTY
TB-002	0.8 - 4.0mm	50m	5m

Pinchweld Door Seal with Side Bulb



SKU	GRIP RANGE	ROLL SIZE	MINI ORDER QTY
SB-001	1.5 - 5.6mm	50m	5m

Pinchweld Door Seal with Side Bulb



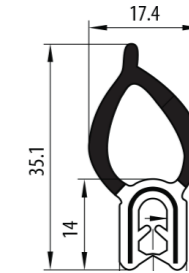
SKU	GRIP RANGE	ROLL SIZE	MINI ORDER QTY
SB-003	0.8 - 2.5mm	50m	5m

Pinchweld Black Rubber



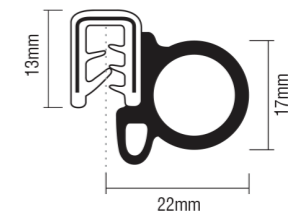
SKU	GRIP RANGE	ROLL SIZE	MINI ORDER QTY
66-035	0.5 - 2.0mm	50m	5m

Pinchweld Door Seal with Top Bulb



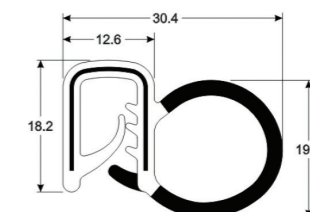
SKU	GRIP RANGE	ROLL SIZE	MINI ORDER QTY
TB-003	1.0 - 2.5mm	50m	5m

Pinchweld Door Seal with Side Bulb



SKU	GRIP RANGE	ROLL SIZE	MINI ORDER QTY
SB-002	0.8 - 3.0mm	50m	5m

Pinchweld Door Seal with Side Bulb



SKU	GRIP RANGE	ROLL SIZE	MINI ORDER QTY
SB-004	2.0 - 5.0mm	50m	5m





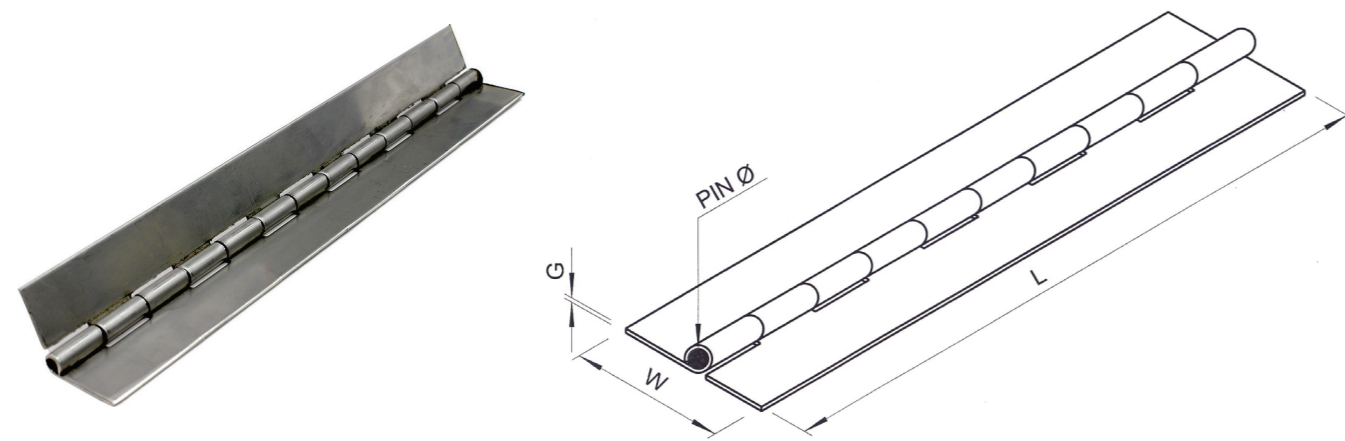
**“FOR EVERYTHING THAT OPENS AND SCHUTTS”**

# HINGES



<b>01</b> Continuous Hinges	<b>44</b>
<b>02</b> Butt Hinges	<b>45</b>
<b>03</b> Block & Pintle Hinges	<b>46</b>

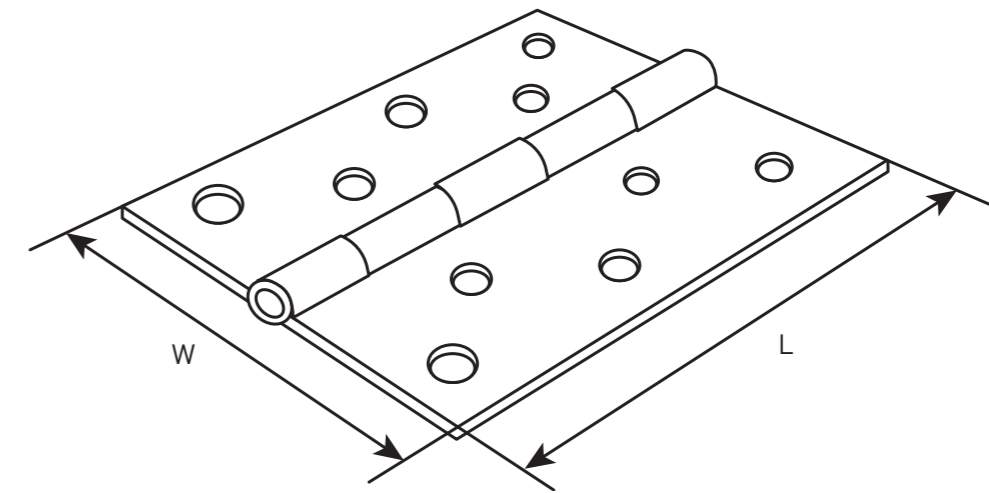
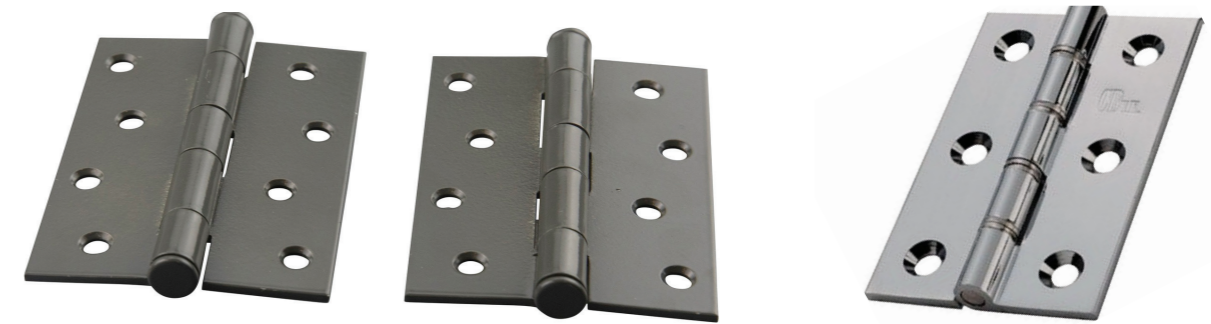
Piano Hinges



NOTE: Limited Stock Pre-Drilled Piano Hinge Available.

SKU	MATERIAL	OPEN WIDTH (W)	THICKNESS (G)	LENGTH (L)	PIN DIAMETER (Ø)
05163AMS	Mild Steel	32mm	1.2mm	1800mm	3.2mm
05003AMS	Mild Steel	38mm	1.2mm	1800mm	3.2mm
05148AMS	Mild Steel	38mm	1.6mm	1800mm	4.5mm
05002AMS	Mild Steel	50mm	1.2mm	1800mm	3.2mm
05074AMS	Mild Steel	50mm	1.6mm	1800mm	4.5mm
05015AMS	Mild Steel	57mm	1.6mm	1840mm	4.5mm
05086AMS	Mild Steel	63mm	1.6mm	2160mm	4.5mm
05018AMS	Mild Steel	76mm	1.6mm	2160mm	4.5mm
05096ASS	Stainless Steel	25mm	1.2mm	1800mm	2.5mm
05165ASS	Stainless Steel	32mm	1.2mm	1800mm	3.2mm
05200ASS	Stainless Steel	38mm	1.2mm	1800mm	3.2mm
05149ASS	Stainless Steel	38mm	1.6mm	1800mm	3.2mm
05141ASS	Stainless Steel	50mm	1.2mm	1800mm	3.2mm
05077ASS	Stainless Steel	50mm	1.6mm	1800mm	4.5mm
05085ASS	Stainless Steel	57mm	1.6mm	1800mm	4.5mm
05016ASS-U	Stainless Steel	63mm	1.6mm	2160mm	4.5mm
05252ASS	Stainless Steel	76mm	1.6mm	2160mm	4.5mm
05041ASS	Stainless Steel	127mm	2.00mm	2100mm	4.5mm
05275GAL-BR	Galvanised With A Brass Pin	25mm	1.2mm	1800mm	3.0mm
05167GAL-BR	Galvanised With A Brass Pin	32mm	1.2mm	1800mm	3.0mm
05276GAL-BR	Galvanised With A Brass Pin	38mm	1.2mm	1800mm	3.2mm
05234GAL-BR	Galvanised With A Brass Pin	50mm	1.2mm	1800mm	3.2mm
05089GAL-BR	Galvanised With A Brass Pin	57mm	1.6mm	2160mm	4.5mm
05226GAL-BR	Galvanised With A Brass Pin	63mm	1.6mm	2160mm	4.5mm
05237GAL-BR	Galvanised With A Brass Pin	76mm	1.6mm	2160mm	4.5mm
05004GAL-BR	Galvanised With A Brass Pin	127mm	2.5mm	2100mm	4.5mm

Butt Hinges



SKU	MATERIAL	OPEN WIDTH (W)	LENGTH (L)
38X25ZPFP	Zinc Plated	38mm	25mm
50X38ZPFP	Zinc Plated	50mm	38mm
70X50ZPFP	Zinc Plated	70mm	50mm
100X75ZPFP1-6	Zinc Plated	100mm	75mm
50X38SSF	Stainless Steel	50mm	38mm
70X50SSF	Stainless Steel	70mm	50mm
85X60SSF	Stainless Steel	85mm	60mm
100X75SSF	Stainless Steel	100mm	75mm
100X100SSF	Stainless Steel	100mm	100mm

Continuous Hinges

Butt Hinge



Small Block Hinge



SKU	MATERIAL	FINISHED	WIDTH	LENGTH	PIN DIAMETER (Ø)	SCREWS
16MMSMLBLOCKHINGE	Brass	Chrome	16mm	50mm	6mm Stainless Steel	M6 x 8mm

Standard Block Hinge



SKU	MATERIAL	FINISHED	WIDTH	LENGTH	PIN DIAMETER (Ø)	SCREWS
16MMSTDBLOCKHINGE	Brass	Chrome	16mm	80mm	6mm Stainless Steel	M6 x 8mm
ID81SS	Stainless	Natural	16mm	80mm	6mm Stainless Steel	M6 x 8mm

Stepped Pintle Hinge



SKU	MATERIAL	FINISHED	WIDTH	LENGTH	STEPPED	PIN DIAMETER (Ø)	SCREWS
AD831	Brass	Chrome	16mm	80mm	3mm	6mm Stainless Steel	M6 x 8mm

# GAS STRUTS



01 Gas Strut Information	48
02 Gas Strut End Fittings	48
03 6/15 Gas Struts	49
04 8/19 Gas Struts	50-51
05 10/22 Gas Struts	52-53
06 14/28 Gas Struts	54

## Gas Strut Information

### How To Order A Gas Strut

If you are unsure of which gas strut you have, you can still place an order. We just need the following:

1. Overall extended length (centre to centre).
2. Body diameter (thickness of the body of the gas strut).
3. Pressure (usually written on the side of the gas strut eg: 200N).
4. End fittings (Please see the available end fittings below).
5. Understanding your application & the dead weights you are working with is important.

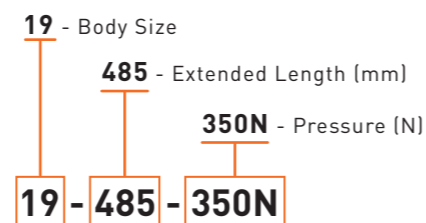
You can use the table below to select the appropriate gas strut and order using the SKU template.

### Gas Strut Profiles

PROFILE	ROD SIZE	BODY SIZE	PRESSURE (FORCE)	THREAD / PITCH	SIZE RANGE
6/15	6mm	15mm	50N - 400N	M6 x 1.0	128mm - 500mm
8/19	8mm	19mm	50N - 700N	M6 x 1.0	175mm - 800mm
10/22	10mm	22mm	100N - 1200N	M8 x 1.25	195mm - 1200mm
14/28	14mm	28mm	100N - 2200N	M10 x 1.5	195mm - 1200mm

NOTE: Limited M8 Also Available for 14/28 Gas Struts.

### SKU Code Breakdown



[Note: This is a sample SKU only.]

### End Fittings To Suit All Gas Struts

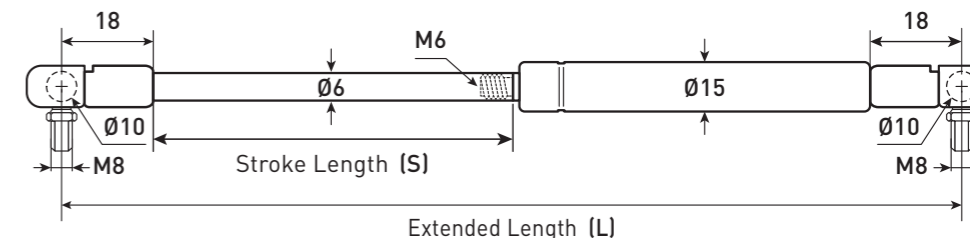
Available in a range of various size on enquiry.



NOTE: 500N Maxium Supported Pressure for Plastic Cups.



### 6/15 Gas Struts



NOTE: "SS" Added To SKU Means Stainless Steel Gas Struts.

SKU	EXTENDED LENGTH (L)	BODY LENGTH	STROKE LENGTH (S)	COMPRESSED LENGTH	PRESSURE (FORCE)	THREAD / PITCH
15-128	128	63	30	98	50N - 400N	M6 x 1.0
15-142	142	72	35	107	50N - 400N	M6 x 1.0
15-150	150	74	40	110	50N - 400N	M6 x 1.0
15-165	165	85	45	120	50N - 400N	M6 x 1.0
15-180	180	90	55	125	50N - 400N	M6 x 1.0
15-195	195	100	60	135	50N - 400N	M6 x 1.0
15-220	220	110	75	145	50N - 400N	M6 x 1.0
15-230	230	115	80	150	50N - 400N	M6 x 1.0
15-240	240	120	85	155	50N - 400N	M6 x 1.0
15-250	250	130	85	160	50N - 400N	M6 x 1.0
15-280	280	140	105	175	50N - 400N	M6 x 1.0
15-315	315	160	120	195	50N - 400N	M6 x 1.0
15-330	330	165	130	200	50N - 400N	M6 x 1.0
15-340	340	170	135	205	50N - 400N	M6 x 1.0
15-355	355	175	140	215	50N - 400N	M6 x 1.0
15-375	375	190	150	225	50N - 400N	M6 x 1.0
15-380	380	190	155	225	50N - 400N	M6 x 1.0
15-410	410	-	170	240	50N - 400N	M6 x 1.0
15-430	430	215	180	250	50N - 400N	M6 x 1.0
15-500	500	250	215	285	50N - 400N	M6 x 1.0
15-505	505	260	210	-	50N - 400N	M6 x 1.0
15-155SS	155	96	45	110	50N - 400N	M6 x 1.0
15-195SS	195	-	60	135	50N - 400N	M6 x 1.0
15-235SS	235	225	80	155	50N - 400N	M6 x 1.0
15-255SS	255	135	90	165	50N - 400N	M6 x 1.0
15-275SS	275	165	100	175	50N - 400N	M6 x 1.0
15-315SS	315	-	120	195	50N - 400N	M6 x 1.0
15-375SS	375	-	150	225	50N - 400N	M6 x 1.0
15-390SS	390	-	155	235	50N - 400N	M6 x 1.0



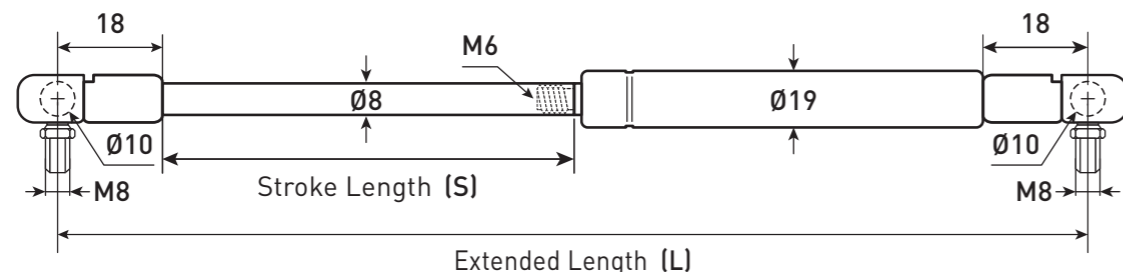
8/19 Gas Struts

8/19 Gas Struts



Medium-Duty Gas Struts:

- Ideal for medium-sized use.
- Suitable for various applications including automotive, marine, and industrial machinery.
- 8/19mm rod and tube diameter combination provides smooth and consistent operation.
- Available in a range of lengths and pressures to suit various applications.



NOTE: "SS" Added To SKU Means Stainless Steel Gas Struts.

SKU	EXTENDED LENGTH (L)	BODY LENGTH	STROKE LENGTH (S)	COMPRESSED LENGTH	PRESSURE (FORCE)	THREAD / PITCH
19-165	165	85	45	120	50N - 700N	M6 x 1.0
19-175	175	90	50	125	50N - 700N	M6 x 1.0
19-195	195	100	60	135	50N - 700N	M6 x 1.0
19-220	220	115	70	150	50N - 700N	M6 x 1.0
19-230	230	120	75	155	50N - 700N	M6 x 1.0
19-245	245	125	85	160	50N - 700N	M6 x 1.0
19-250	250	130	85	160	50N - 700N	M6 x 1.0
19-265	265	135	95	170	50N - 700N	M6 x 1.0
19-275	275	140	100	175	50N - 700N	M6 x 1.0
19-290	290	150	105	180	50N - 700N	M6 x 1.0
19-305	305	155	115	190	50N - 700N	M6 x 1.0
19-315	315	165	115	195	50N - 700N	M6 x 1.0
19-320	320	165	120	200	50N - 700N	M6 x 1.0
19-330	330	165	125	205	50N - 700N	M6 x 1.0
19-336	336	170	130	206	50N - 700N	M6 x 1.0
19-340	340	175	130	205	50N - 700N	M6 x 1.0
19-350	350	180	135	215	50N - 700N	M6 x 1.0
19-365	365	185	145	220	50N - 700N	M6 x 1.0
19-375	375	190	150	225	50N - 700N	M6 x 1.0
19-385	385	195	155	230	50N - 700N	M6 x 1.0
19-405	405	205	165	240	50N - 700N	M6 x 1.0
19-410	410	210	165	245	50N - 700N	M6 x 1.0
19-415	415	210	170	245	50N - 700N	M6 x 1.0
19-430	430	220	175	250	50N - 700N	M6 x 1.0
19-450	450	230	185	265	50N - 700N	M6 x 1.0
19-460	460	-	190	270	50N - 700N	M6 x 1.0
19-465	465	235	195	270	50N - 700N	M6 x 1.0

NOTE: "SS" Added To SKU Means Stainless Steel Gas Struts.

SKU	EXTENDED LENGTH (L)	BODY LENGTH	STROKE LENGTH (S)	COMPRESSED LENGTH	PRESSURE (FORCE)	THREAD / PITCH
19-470	470	240	195	275	50N - 700N	M6 x 1.0
19-485	485	245	205	280	50N - 700N	M6 x 1.0
19-500	500	255	210	290	50N - 700N	M6 x 1.0
19-505	505	255	215	290	50N - 700N	M6 x 1.0
19-510	510	260	215	295	50N - 700N	M6 x 1.0
19-520	520	-	-	295	50N - 700N	M6 x 1.0
19-525	525	265	225	300	50N - 700N	M6 x 1.0
19-535	535	270	230	305	50N - 700N	M6 x 1.0
19-540	540	270	235	305	50N - 700N	M6 x 1.0
19-550	550	280	235	310	50N - 700N	M6 x 1.0
19-565	565	295	235	320	50N - 700N	M6 x 1.0
19-575	575	290	250	325	50N - 700N	M6 x 1.0
19-585	585	295	255	330	50N - 700N	M6 x 1.0
19-595	595	300	260	335	50N - 700N	M6 x 1.0
19-600	600	300	265	335	50N - 700N	M6 x 1.0
19-615	615	310	270	345	50N - 700N	M6 x 1.0
19-630	630	320	275	355	50N - 700N	M6 x 1.0
19-650	650	330	285	365	50N - 700N	M6 x 1.0
19-670	670	340	295	375	50N - 700N	M6 x 1.0
19-680	680	340	305	385	50N - 700N	M6 x 1.0
19-700	700	350	315	385	50N - 700N	M6 x 1.0
19-720	720	365	320	395	50N - 700N	M6 x 1.0
19-730	730	365	330	400	50N - 700N	M6 x 1.0
19-750	750	380	335	410	50N - 700N	M6 x 1.0
19-775	775	390	350	425	50N - 700N	M6 x 1.0
19-800	800	405	360	435	50N - 700N	M6 x 1.0
19-310SS	310	155	115	195	50N - 700N	M6 x 1.0
19-350SS	350	175	135	210	50N - 700N	M6 x 1.0
19-390SS	390	195	155	230	50N - 700N	M6 x 1.0
19-400SS	400	200	165	245	50N - 700N	M6 x 1.0
19-410SS	410	205	165	245	50N - 700N	M6 x 1.0
19-510SS	510	255	215	295	50N - 700N	M6 x 1.0
19-525SS	525	260	225	300	50N - 700N	M6 x 1.0
19-565SS	565	285	240	-	50N - 700N	M6 x 1.0
19-585SS	585	290	255	330	50N - 700N	M6 x 1.0
19-600SS	600	300	260	-	50N - 700N	M6 x 1.0
19-610SS	610	305	265	340	50N - 700N	M6 x 1.0
19-630SS	630	315	275	-	50N - 700N	M6 x 1.0
19-650SS	650	325	285	-	50N - 700N	M6 x 1.0
19-710SS	710	355	315	390	50N - 700N	M6 x 1.0

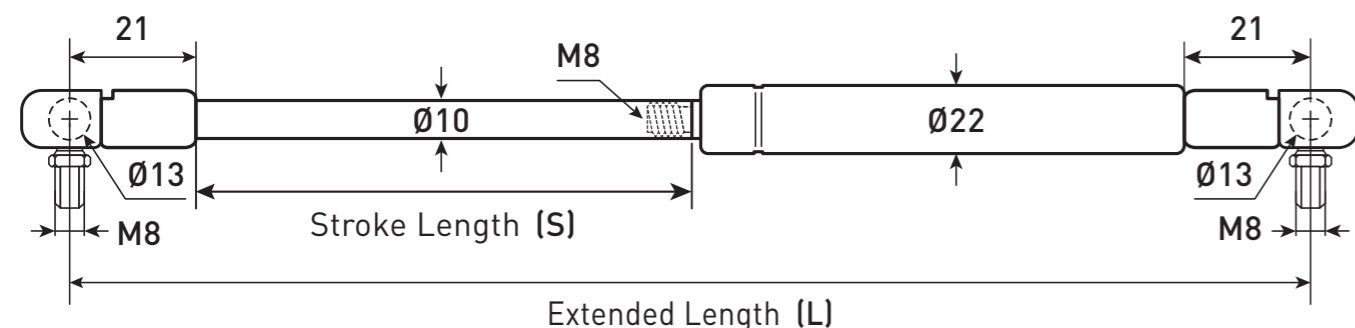
8/19 Gas Struts

10/22 Gas Struts



Semi-Heavy-Duty Gas Struts:

- Offer a semi-heavy-duty option suitable for various industrial and automotive applications.
- Designed to withstand complex environments and provide smooth and controlled motion, making them an ideal choice for applications that require precision and strength.
- Available in a range of lengths and pressures to suit various applications.



NOTE: "SS" Added To SKU Means Stainless Steel Gas Struts.

SKU	EXTENDED LENGTH (L)	BODY LENGTH	STROKE LENGTH (S)	PRESSURE (FORCE)	THREAD / PITCH
22-195	195	95	60	50N - 1200N	M8 x 1.25
22-250	250	125	85	50N - 1200N	M8 x 1.25
22-295	295	150	105	50N - 1200N	M8 x 1.25
22-330	330	165	125	50N - 1200N	M8 x 1.25
22-350	350	175	135	50N - 1200N	M8 x 1.25
22-375	375	190	145	50N - 1200N	M8 x 1.25
22-395	395	205	160	50N - 1200N	M8 x 1.25
22-405	405	205	160	50N - 1200N	M8 x 1.25
22-430	430	-	170	50N - 1200N	M8 x 1.25
22-450	450	230	180	50N - 1200N	M8 x 1.25
22-485	485	240	205	50N - 1200N	M8 x 1.25
22-500	500	250	210	50N - 1200N	M8 x 1.25
22-505	505	250	215	50N - 1200N	M8 x 1.25
22-525	525	260	225	50N - 1200N	M8 x 1.25

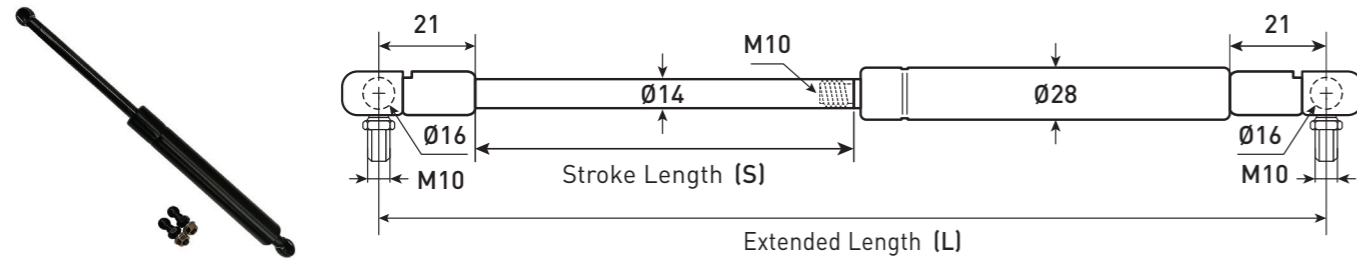
NOTE: "SS" Added To SKU Means Stainless Steel Gas Struts.

SKU	EXTENDED LENGTH (L)	BODY LENGTH	STROKE LENGTH (S)	PRESSURE (FORCE)	THREAD / PITCH
22-550	550	275	235	50N - 1200N	M8 x 1.25
22-560	560	285	240	50N - 1200N	M8 x 1.25
22-565	565	-	-	50N - 1200N	M8 x 1.25
22-575	575	290	245	50N - 1200N	M8 x 1.25
22-595	595	300	255	50N - 1200N	M8 x 1.25
22-620	620	310	270	50N - 1200N	M8 x 1.25
22-630	630	315	275	50N - 1200N	M8 x 1.25
22-650	650	325	285	50N - 1200N	M8 x 1.25
22-670	670	340	290	50N - 1200N	M8 x 1.25
22-700	700	350	310	50N - 1200N	M8 x 1.25
22-730	730	365	325	50N - 1200N	M8 x 1.25
22-750	750	375	335	50N - 1200N	M8 x 1.25
22-770	770	390	340	50N - 1200N	M8 x 1.25
22-795	795	395	360	50N - 1200N	M8 x 1.25
22-816	816	410	365	50N - 1200N	M8 x 1.25
22-830	830	415	375	50N - 1200N	M8 x 1.25
22-850	850	425	385	50N - 1200N	M8 x 1.25
22-900	900	450	410	50N - 1200N	M8 x 1.25
22-930	930	465	425	50N - 1200N	M8 x 1.25
22-940	940	470	430	50N - 1200N	M8 x 1.25
22-975	975	-	-	50N - 1200N	M8 x 1.25
22-1035	1035	520	475	50N - 1200N	M8 x 1.25
22-1100	1100	560	500	50N - 1200N	M8 x 1.25
22-1200	1200	600	560	50N - 1200N	M8 x 1.25
22-295SS	295	-	-	50N - 1200N	M8 x 1.25
22-350SS	350	-	-	50N - 1200N	M8 x 1.25
22-405SS	405	-	-	50N - 1200N	M8 x 1.25
22-450SS	450	-	-	50N - 1200N	M8 x 1.25
22-505SS	505	-	-	50N - 1200N	M8 x 1.25
22-710SS	710	-	-	50N - 1200N	M8 x 1.25
22-820SS	820	-	-	50N - 1200N	M8 x 1.25

10/22 Gas Struts

10/22 Gas Struts

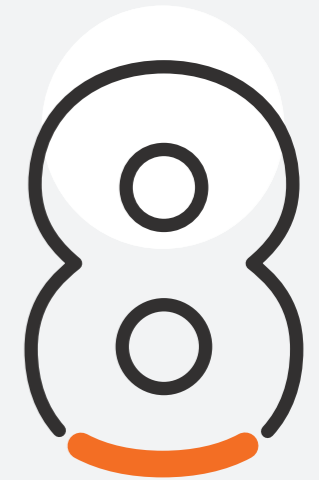
14/28 Gas Struts



NOTE: "SS" Added To SKU Means Stainless Steel Gas Struts.

SKU	EXTENDED LENGTH (L)	BODY LENGTH	STROKE LENGTH (S)	PRESSURE (FORCE)	THREAD / PITCH
28-195	195	-	-	100N - 2200N	M10 X 1.5
28-250	250	-	-	100N - 2200N	M10 X 1.5
28-295	295	160	95	100N - 2200N	M10 X 1.5
28-330	330	175	115	100N - 2200N	M10 X 1.5
28-375	375	200	135	100N - 2200N	M10 X 1.5
28-405	405	-	-	100N - 2200N	M10 X 1.5
28-430	430	225	165	100N - 2200N	M10 X 1.5
28-450	450	-	-	100N - 2200N	M10 X 1.5
28-485	485	255	190	100N - 2200N	M10 X 1.5
28-505	505	265	200	100N - 2200N	M10 X 1.5
28-525	525	-	205	100N - 2200N	M10 X 1.5
28-550	550	290	220	100N - 2200N	M10 X 1.5
28-600	600	-	-	100N - 2200N	M10 X 1.5
28-630	630	330	260	100N - 2200N	M10 X 1.5
28-640	640	330	270	100N - 2200N	M10 X 1.5
28-650	650	335	275	100N - 2200N	M10 X 1.5
28-670	670	-	-	100N - 2200N	M10 X 1.5
28-700	700	365	295	100N - 2200N	M10 X 1.5
28-720	720	375	305	100N - 2200N	M10 X 1.5
28-730	730	380	310	100N - 2200N	M10 X 1.5
28-750	750	-	320	100N - 2200N	M10 X 1.5
28-800	800	415	345	100N - 2200N	M10 X 1.5
28-830	830	425	365	100N - 2200N	M10 X 1.5
28-850	850	430	380	100N - 2200N	M10 X 1.5
28-885	885	-	385	100N - 2200N	M10 X 1.5
28-900	900	460	400	100N - 2200N	M10 X 1.5
28-940	940	-	-	100N - 2200N	M10 X 1.5
28-1100	1100	560	500	100N - 2200N	M10 X 1.5
28-1200	1200	610	550	100N - 2200N	M10 X 1.5
28-505SS	505	-	-	100N - 2000N	M10 X 1.5
28-710SS	710	-	-	100N - 2000N	M10 X 1.5
28-910SS	910	-	-	100N - 2000N	M10 X 1.5
28-1100SS	1100	560	500	100N - 2000N	M10 X 1.5

# DRAWERSLIDES



- 01 Light Duty Drawerslides 56

---

- 02 Medium Duty Drawerslides 57

---

- 03 Heavy Duty Drawerslides 68



## Drawerslides

Light Duty



### HIGH QUALITY DRAWER RUNNERS FIT FOR ALL PURPOSES

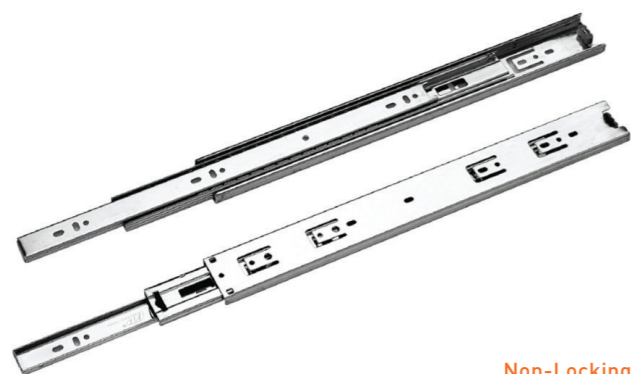
With a range that includes light, medium and heavy-duty drawer slides, as well as locking and non-locking products.

### SOFT CLOSE DRAWER SLIDES FIT FOR RESIDENTIAL AND COMMERCIAL USE

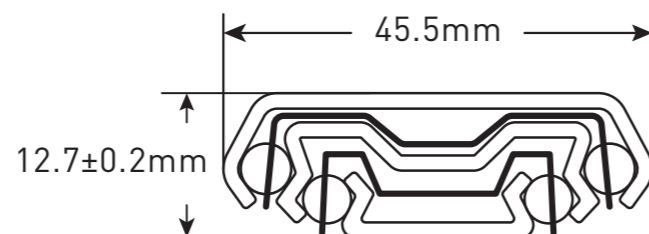
From residential homes to commercial office buildings, our soft close drawer slides are the perfect option for those who need a quality made product that will be able to fit a variety of uses around their home or workplace.

As an easy way to update your drawers to a better system, the soft close drawer slides will be a much quieter and easier to maintain alternative for your draw systems.

### Light Duty Non-Locking Drawerslides

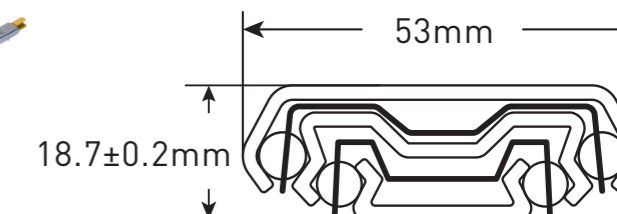


Non-Locking



SKU	MATERIAL	LOCKABLE	LENGTH	CAPACITY
DSCHLD300	Zinc Plated Steel	No	300mm	45kg
DSCHLD350	Zinc Plated Steel	No	350mm	45kg
DSCHLD400	Zinc Plated Steel	No	400mm	45kg
DSCHLD450	Zinc Plated Steel	No	450mm	45kg
DSCHLD500	Zinc Plated Steel	No	500mm	45kg
DSCHLD550	Zinc Plated Steel	No	550mm	40kg
DSCHLD600	Zinc Plated Steel	No	600mm	35kg
DSCHLD650	Zinc Plated Steel	No	650mm	35kg
DSCHLD700	Zinc Plated Steel	No	700mm	30kg
DSCHLD800	Zinc Plated Steel	No	800mm	30kg
DSCHLD900	Zinc Plated Steel	No	900mm	25kg

## Medium Duty Drawerslides



Medium Duty

SKU	MATERIAL	LOCKABLE	LENGTH	CAPACITY
DSCHMD300	Zinc Plated Steel	No	300mm	125kg
DSCHMD350	Zinc Plated Steel	No	350mm	125kg
DSCHMD400	Zinc Plated Steel	No	400mm	125kg
DSCHMD450	Zinc Plated Steel	No	450mm	125kg
DSCHMD500	Zinc Plated Steel	No	500mm	125kg
DSCHMD550	Zinc Plated Steel	No	550mm	110kg
DSCHMD600	Zinc Plated Steel	No	600mm	105kg
DSCHMD650	Zinc Plated Steel	No	650mm	100kg
DSCHLD700	Zinc Plated Steel	No	700mm	95kg
DSCHMD750	Zinc Plated Steel	No	750mm	90kg
DSCHMD800	Zinc Plated Steel	No	800mm	85kg
DSCHMD850	Zinc Plated Steel	No	850mm	80kg
DSCHMD900	Zinc Plated Steel	No	900mm	75kg
DSCHMD1000	Zinc Plated Steel	No	1000mm	70kg
DSCHMD300-L	Zinc Plated Steel	Yes	300mm	125kg
DSCHMD350-L	Zinc Plated Steel	Yes	350mm	125kg
DSCHMD400-L	Zinc Plated Steel	Yes	400mm	125kg
DSCHMD450-L	Zinc Plated Steel	Yes	450mm	125kg
DSCHMD500-L	Zinc Plated Steel	Yes	500mm	125kg
DSCHMD550-L	Zinc Plated Steel	Yes	550mm	110kg
DSCHMD600-L	Zinc Plated Steel	Yes	600mm	105kg
DSCHMD650-L	Zinc Plated Steel	Yes	650mm	100kg
DSCHLD700-L	Zinc Plated Steel	Yes	700mm	95kg
DSCHMD750-L	Zinc Plated Steel	Yes	750mm	90kg
DSCHMD800-L	Zinc Plated Steel	Yes	800mm	85kg
DSCHMD850-L	Zinc Plated Steel	Yes	850mm	80kg
DSCHMD900-L	Zinc Plated Steel	Yes	900mm	75kg
DSCHMD1000-L	Zinc Plated Steel	Yes	1000mm	70kg

Heavy Duty Drawerslides



Heavy Duty

SKU	MATERIAL	LOCKABLE	LENGTH	CAPACITY
DCHHD350	Zinc Plated Steel	No	350mm	225kg
DCHHD400	Zinc Plated Steel	No	400mm	225kg
DCHHD450	Zinc Plated Steel	No	450mm	225kg
DCHHD500	Zinc Plated Steel	No	500mm	225kg
DCHHD550	Zinc Plated Steel	No	550mm	225kg
DCHHD600	Zinc Plated Steel	No	600mm	225kg
DCHHD650	Zinc Plated Steel	No	650mm	225kg
DCHHD700	Zinc Plated Steel	No	700mm	225kg
DCHHD750	Zinc Plated Steel	No	750mm	225kg
DCHHD800	Zinc Plated Steel	No	800mm	220kg
DCHHD850	Zinc Plated Steel	No	850mm	210kg
DCHHD900	Zinc Plated Steel	No	900mm	205kg
DCHHD950	Zinc Plated Steel	No	950mm	200kg
DCHHD1000	Zinc Plated Steel	No	1000mm	195kg
DCHHD1050	Zinc Plated Steel	No	1050mm	190kg
DCHHD1100	Zinc Plated Steel	No	1100mm	185kg
DCHHD1150	Zinc Plated Steel	No	1150mm	180kg
DCHHD1200	Zinc Plated Steel	No	1200mm	175kg
DCHHD1300	Zinc Plated Steel	No	1300mm	170kg
DCHHD1350	Zinc Plated Steel	No	1350mm	165kg
DCHHD1400	Zinc Plated Steel	No	1400mm	160kg
DCHHD1450	Zinc Plated Steel	No	1450mm	150kg
DCHHD1500	Zinc Plated Steel	No	1500mm	140kg
DCHHD350-L	Zinc Plated Steel	Yes	350mm	225kg
DCHHD400-L	Zinc Plated Steel	Yes	400mm	225kg
DCHHD450-L	Zinc Plated Steel	Yes	450mm	225kg
DCHHD500-L	Zinc Plated Steel	Yes	500mm	225kg
DCHHD550-L	Zinc Plated Steel	Yes	550mm	225kg
DCHHD600-L	Zinc Plated Steel	Yes	600mm	225kg
DCHHD650-L	Zinc Plated Steel	Yes	650mm	225kg
DCHHD700-L	Zinc Plated Steel	Yes	700mm	225kg
DCHHD750-L	Zinc Plated Steel	Yes	750mm	225kg
DCHHD800-L	Zinc Plated Steel	Yes	800mm	220kg
DCHHD850-L	Zinc Plated Steel	Yes	850mm	210kg
DCHHD900-L	Zinc Plated Steel	Yes	900mm	205kg
DCHHD950-L	Zinc Plated Steel	Yes	950mm	200kg
DCHHD1000-L	Zinc Plated Steel	Yes	1000mm	195kg
DCHHD1050-L	Zinc Plated Steel	Yes	1050mm	190kg
DCHHD1100-L	Zinc Plated Steel	Yes	1100mm	185kg
DCHHD1150-L	Zinc Plated Steel	Yes	1150mm	180kg
DCHHD1200-L	Zinc Plated Steel	Yes	1200mm	175kg
DCHHD1300-L	Zinc Plated Steel	Yes	1300mm	170kg
DCHHD1350-L	Zinc Plated Steel	Yes	1350mm	165kg
DCHHD1400-L	Zinc Plated Steel	Yes	1400mm	160kg
DCHHD1450-L	Zinc Plated Steel	Yes	1450mm	150kg
DCHHD1500-L	Zinc Plated Steel	Yes	1500mm	140kg

visit our website [WWW.SCHUTTIES.COM.AU](http://WWW.SCHUTTIES.COM.AU) for further information and downloads.

NOTE: \_\_\_\_\_

\_\_\_\_\_

\_\_\_\_\_

\_\_\_\_\_

\_\_\_\_\_

\_\_\_\_\_

\_\_\_\_\_

\_\_\_\_\_

\_\_\_\_\_

\_\_\_\_\_

\_\_\_\_\_

\_\_\_\_\_

\_\_\_\_\_

\_\_\_\_\_

\_\_\_\_\_

\_\_\_\_\_

\_\_\_\_\_

\_\_\_\_\_

\_\_\_\_\_

www.schutties.com.au | sale@schutties.com.au | 03 8791 5755

© SCHUTTS INDUSTRIAL PTY. LTD. ABN 64 663 036 904  
 No part of this catalogue may be reproduced, stored in a system or transmitted in any form by means, including electronic, mechanical, photocopying, recording or otherwise, without prior permission of Schutts Industrial Pty. Ltd. All items in this catalogue have been included in good faith on the basis that the goods, as described, will be available for sale. A failure by the supplier to deliver in accordance with sample, description or at all or other unintentional causes may result in some items being unavailable.  
 Display accessories shown in photographs throughout this publication are not included in the price. Whilst every care has been taken to ensure accuracy in this catalogue, due to technical effects, there could be some slight difference in the colour tone of pictures and the actual item. All graphics are used for illustration purpose only. Specifications and descriptions are correct with our current stock holdings. What we receive can vary between 0.5 percent - 5 percent approx difference in measurements.  
 We reserve the right to change products resulting from printing or typographical error. Printed for Schutts Industrial Pty. Ltd. **SCHUTTIES INDUSTRIAL**